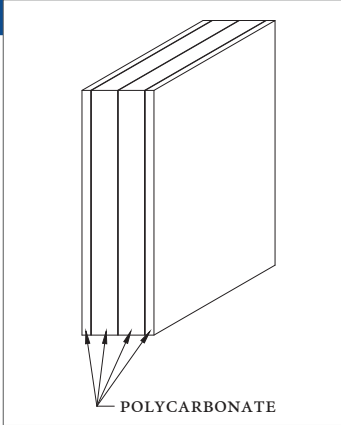




FORCEPROTECT
FORCED ENTRY RESISTANT GLASS
BY INSULGARD

LEXGARD® MP1000



Innovative glazing solutions for forced entry protection

PRODUCT DESCRIPTION

LEXGARD® MP1000 LAMINATED POLYCARBONATE GLAZING HAS BEEN TESTED TO FORCED ENTRY PERFORMANCE STANDARDS BELOW.

TECHNICAL DATA

- Nominal Thickness: 1"
- Tolerance: .930" / 1.130"
- Weight: 6.41 lbs per SF
- Available Sizes: Up to 72" x 96", 12" x 12" Minimum for UL Ballistic Rating
- Light Transmittance: 65%
- U-Value: .68
- SHGC: .88
- Shading Coefficient: .91
- Available in bronze, gray and green tint

PERFORMANCE

- Forced Entry: ASTM F1 233 Class V, HP White Level IV- TP-0500.02
- Ballistic: UL 752- Level 2 – UL Listed – File BP844, .357 Magnum Jacketed Lead Soft Point, No Spall, No Penetration

CONSTRUCTION

This product is laminated polycarbonate and contains exposed polycarbonate surfaces with abrasion resistant coatings on both sides

INSTALLATION

When used for ballistic protection, glazing should be installed in a UL Level 2 Bullet Resistant frame system. Holes must be covered with a UL listed device. All glass should be installed in accordance with the guidelines set forth in the current edition of the Glass Association of North America (GANA) Glazing and Sealant Manuals. Glazing systems should incorporate a weep system to allow moisture and water to escape the glazing channel.

- Face Clearance 1/8" per side
- Edge Clearance 1/4"
- Bite Clearance 1"

APPLICABLE STANDARDS

- ANSI Z97.1
- CPSC 16 CFR 1201 (Category I and II)
- ASTM C 1036
- ASTM C 1172

The materials, products, and services of Insulgard™ Security Products, its subsidiaries and affiliates ("Seller") are sold subject to Seller's standard conditions of sale, which can be found at www.polymershapes.com and are available upon request. Although any information or recommendation contained herein is given in good faith, Seller makes no warranty or guarantee, express or implied, (i) that the results described herein will be obtained under end-use conditions, or (ii) as to the effectiveness or safety of any design incorporating seller's products, services or recommendations. Except as provided in Seller's standard conditions of sale, Seller shall not be responsible for any loss resulting from any use of its products or services described herein. Each user is responsible for making its own determination as to the suitability of Seller's products, services or recommendations for the user's particular use through appropriate end-use testing and analysis. Nothing in any document or oral statement shall be deemed to alter or waive any provision of Seller's Standard Conditions of Sale or this Disclaimer, unless it is specifically agreed to in a writing signed by Seller. No statement by Seller concerning a possible use of any product, service or design is intended, or should be construed, to grant any license under any patent or other intellectual property right of Seller or as a recommendation for the use of such product, service or design in a manner that infringes any patent or other intellectual property right. ©2021 Polymershapes LLC. All rights reserved. Bulletblock™ and Insulgard™ are trademarks of Polymershapes LLC. Version: 11.2.21

INSULGARD
SECURITY PRODUCTS
insulgard.com | 800.624.6315