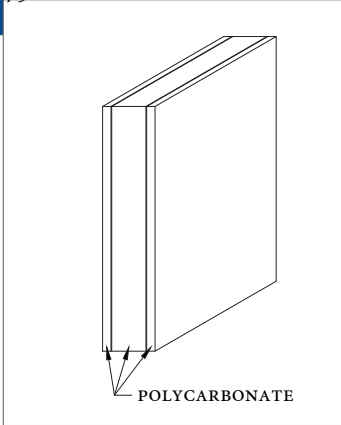




FORCEPROTECT
FORCED ENTRY RESISTANT GLASS
BY INSULGARD

LEXGARD® RC750



Innovative glazing solutions for forced entry protection

PRODUCT DESCRIPTION

LEXGARD® RC750 LAMINATED POLYCARBONATE GLAZING HAS BEEN TESTED TO FORCED ENTRY PERFORMANCE STANDARDS BELOW.

TECHNICAL DATA

- Nominal Thickness: .766"
- Tolerance: .690" / .842"
- Weight: 4.76 lbs per SF
- Available Sizes: Up to 72" x 96"
- Light Transmittance: 65%
- U-Value: .68
- Shading Coefficient: .88
- Translucent white interlayer, bronze, gray, green tint also available

PERFORMANCE

- Forced Entry: ASTM F1 233 Class IV, ASTM 1915 Grade 1, HP White Level III-TP-0500.02

CONSTRUCTION

This product is laminated polycarbonate and contains exposed polycarbonate surfaces with abrasion resistant coatings on both sides.

INSTALLATION

All glazing should be installed in accordance with the guidelines set forth in the current edition of the Glass Association of North America (GANA) Glazing and Sealant Manuals. Glazing systems should incorporate a weep system to allow moisture and water to escape the glazing channel.

- Face Clearance 1/8" per side
- Edge Clearance 1/4"
- Bite Clearance 1"