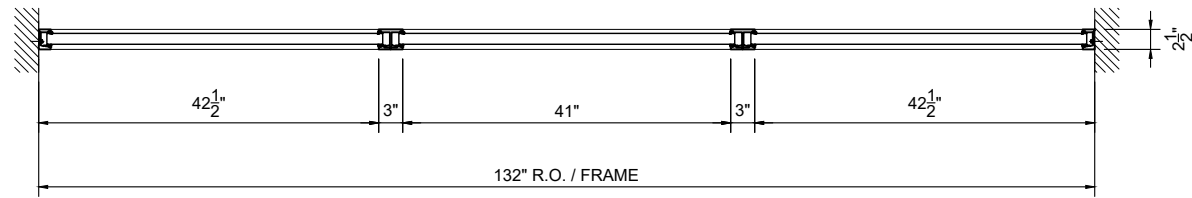
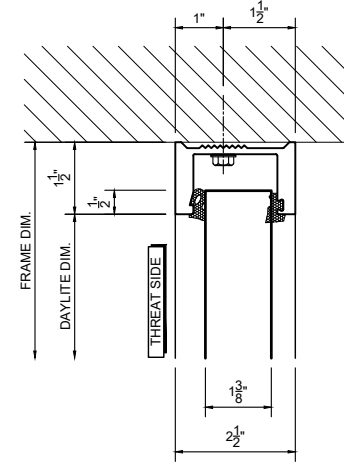


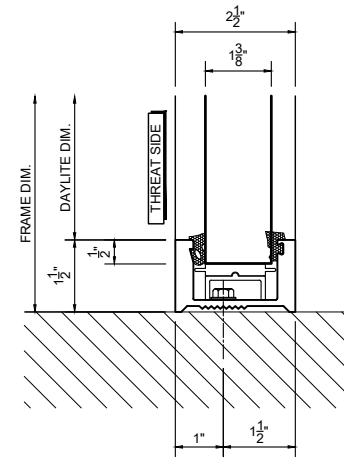
1 INTERIOR FRAME ELEVATION
SCALE: 1/2" = 1'-0"



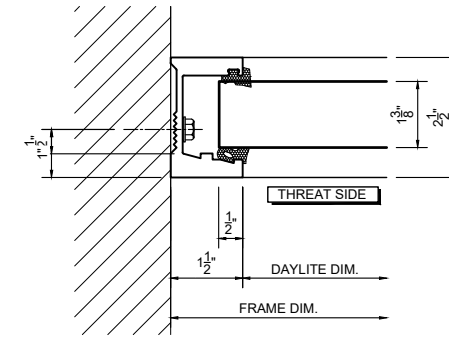
2 INTERIOR FRAME PLAN
SCALE: 1/2" = 1'-0"



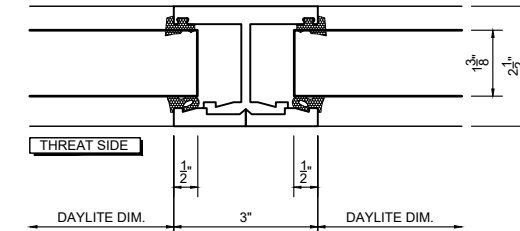
3 HEAD DETAIL
SCALE: 3" = 1'-0"



4 SILL DETAIL
SCALE: 3" = 1'-0"



5 JAMB DETAIL
SCALE: 3" = 1'-0"



6 VERT. MULLION DETAIL
SCALE: 3" = 1'-0"

SHEET NUMBER:
1 of 1
JOB NUMBER:

44-250 - SALES DRAWING
ELEVATION & DETAILS
U.L 752 TESTED AND LISTED LEVEL 1-3

REVISIONS:	NO.	DATE	DESCRIPTION
AS INDICATED			
DRAWN BY:			
DATE:			

SCALE: AS INDICATED
DRAWN BY:
DATE:

1291 RICKETT ROAD
PHONE (810) 844 - 0776

BRIGHTON, MI 48116
FAX (810) 844 - 0920

DISCLAIMER: THE INFORMATION CONTAINED IN THIS DRAWING IS CONFIDENTIAL. IT IS THE EXCLUSIVE PROPERTY OF "INSULGARD". AUTHORIZED USE MUST BE APPROVED BY "INSULGARD". ANY UNAUTHORIZED REPRODUCTION AND/OR DISTRIBUTION IS PROHIBITED.