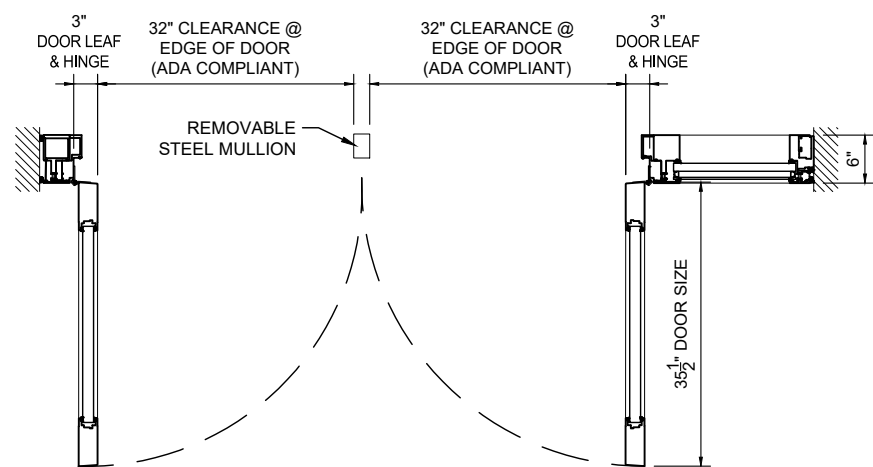
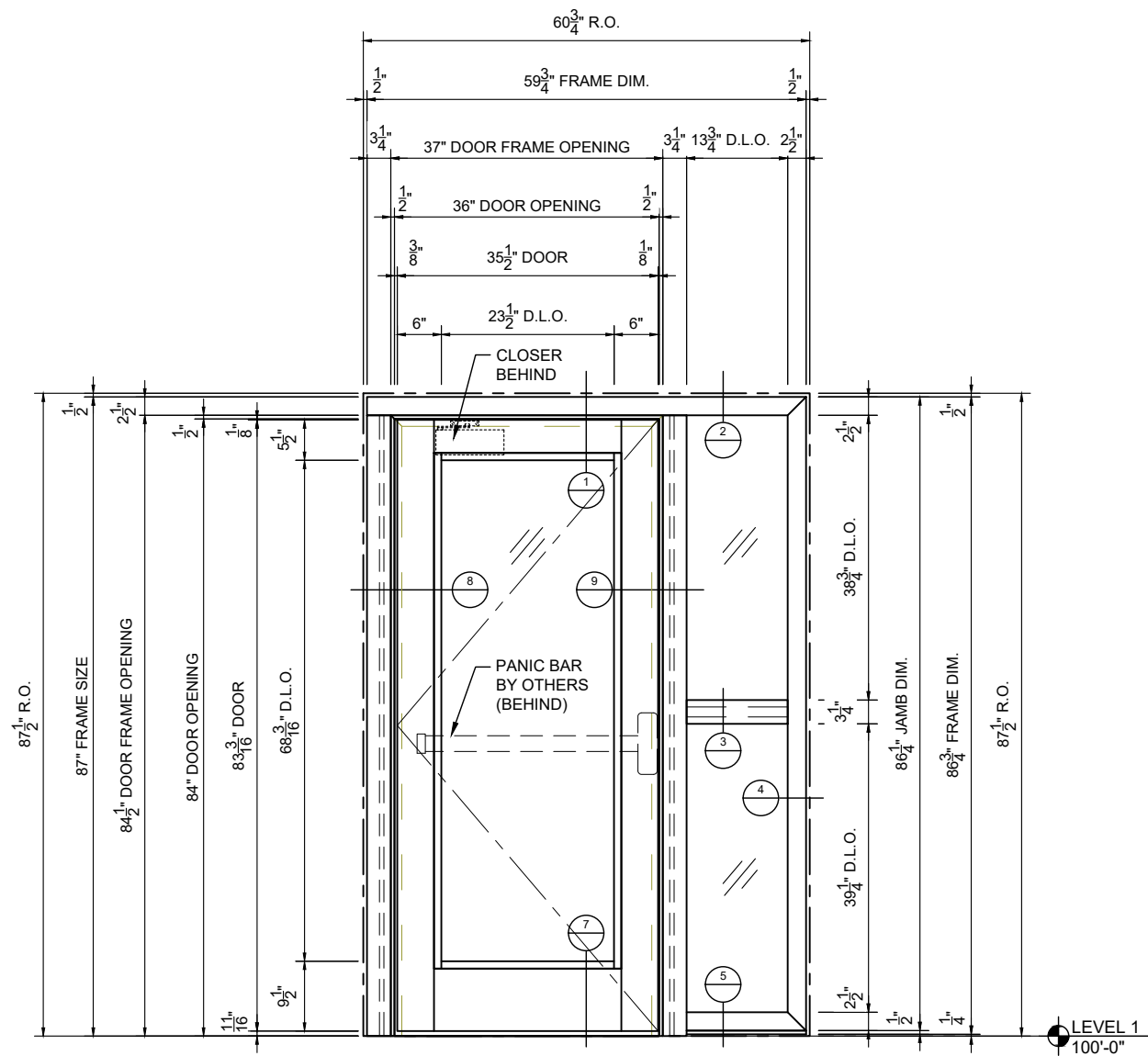


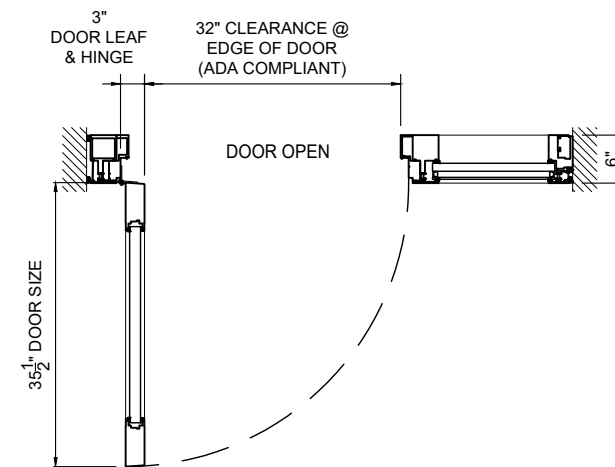
PAIR DOOR FRAME ELEVATION
SCALE: 1/2" = 1'-0"



PAIR DOOR FRAME PLAN



SINGLE DOOR FRAME ELEVATION
SCALE: 1/2" = 1'-0"



SINGLE DOOR FRAME PLAN

SHEET NUMBER:
1 of 2
JOB NUMBER:

44-350 + TTH600BR
ELEVATIONS
SALES DRAWING

REVISIONS:	NO.	DATE	DESCRIPTION

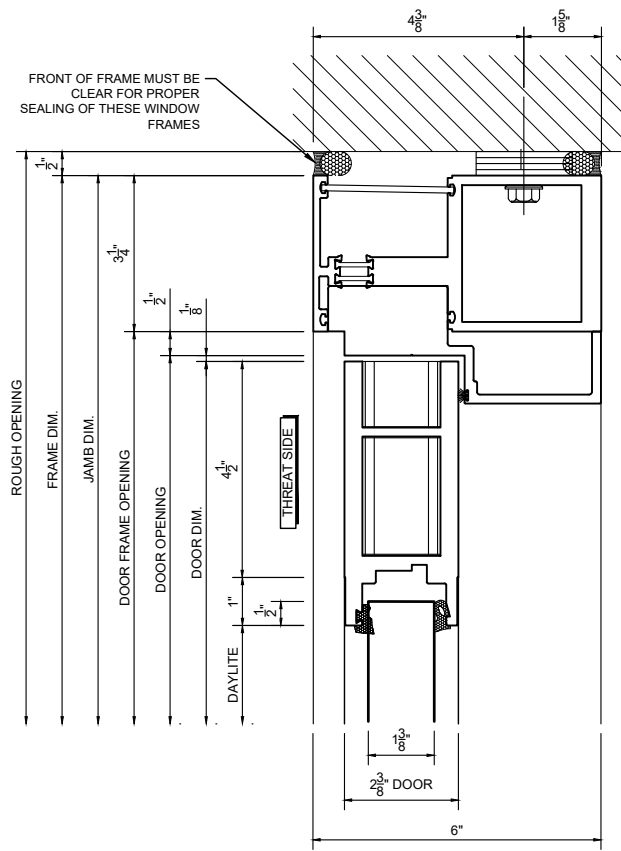
LOCATION:

SCALE:	AS INDICATED
DRAWN BY:	
DATE:	

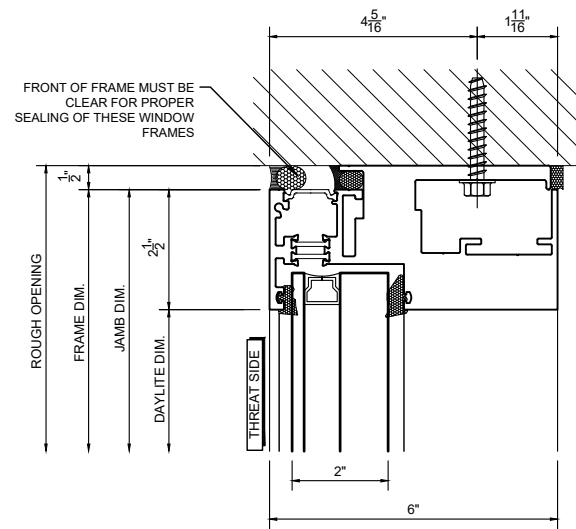


1291 RICKETT ROAD
BRIGHTON, MI 48116
PHONE (810) 844 - 0776
FAX (810) 844 - 0920

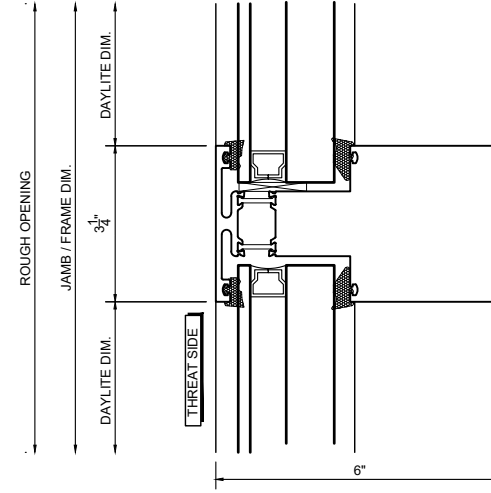
DISCLAIMER: THE INFORMATION CONTAINED IN THIS DRAWING IS CONFIDENTIAL. IT IS THE EXCLUSIVE PROPERTY OF "INSULGARD". AUTHORIZED USE MUST BE APPROVED BY "INSULGARD". ANY UNAUTHORIZED REPRODUCTION AND/OR DISTRIBUTION IS PROHIBITED.



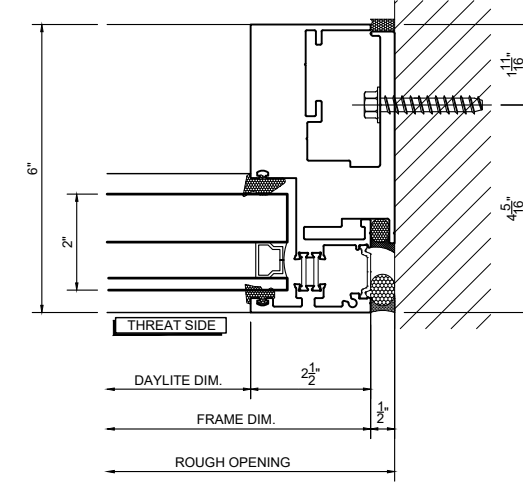
1 DOOR HEAD DETAIL
SCALE: 3" = 1'-0"



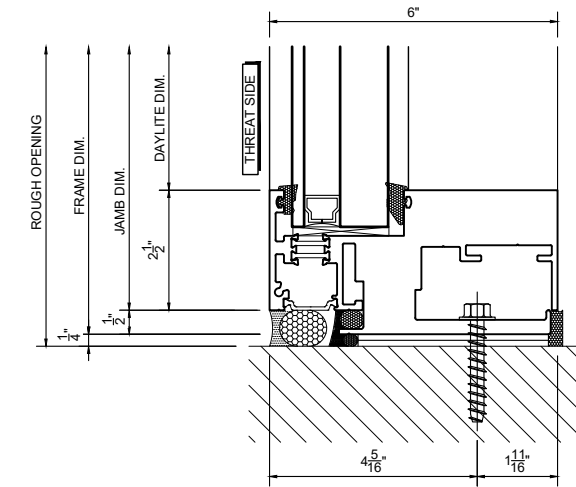
2 HEAD DETAIL
SCALE: 3" = 1'-0"



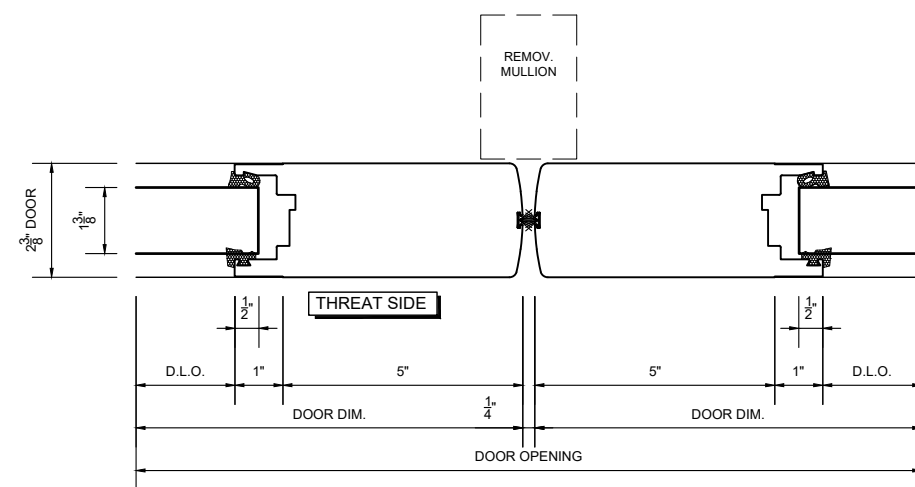
3 INT. HORZ. DETAIL
SCALE: 3" = 1'-0"



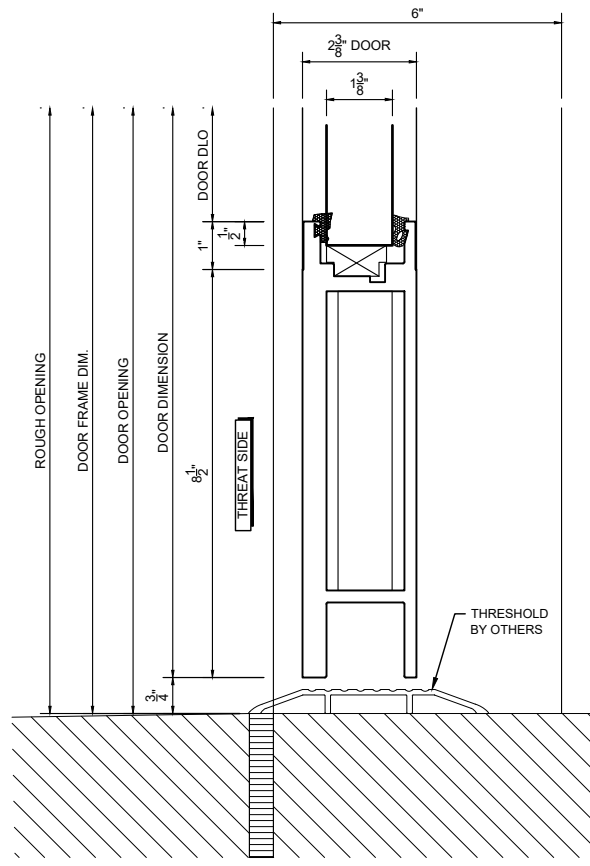
4 JAMB DETAIL
SCALE: 3" = 1'-0"



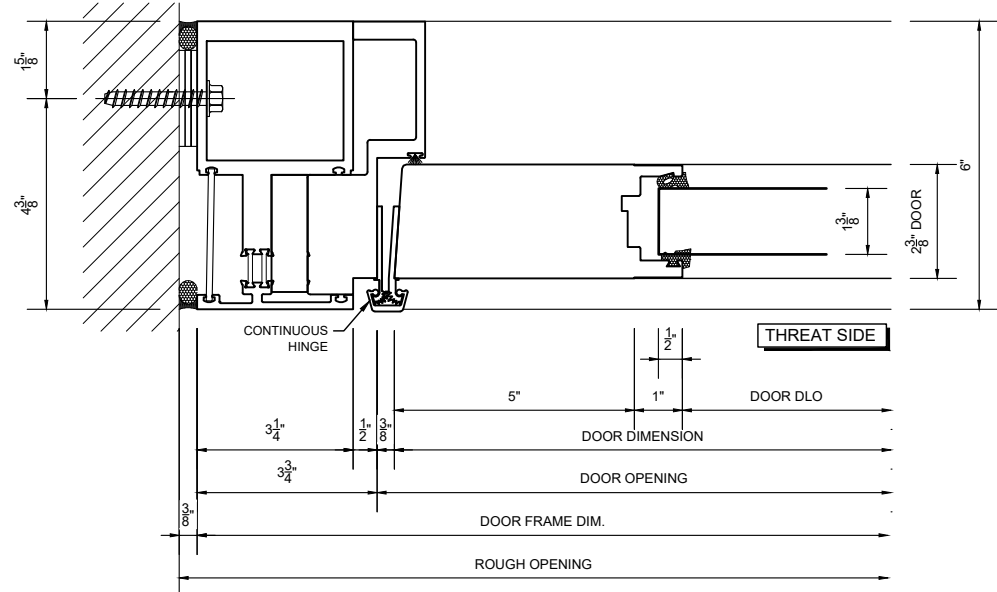
5 SILL DETAIL
SCALE: 3" = 1'-0"



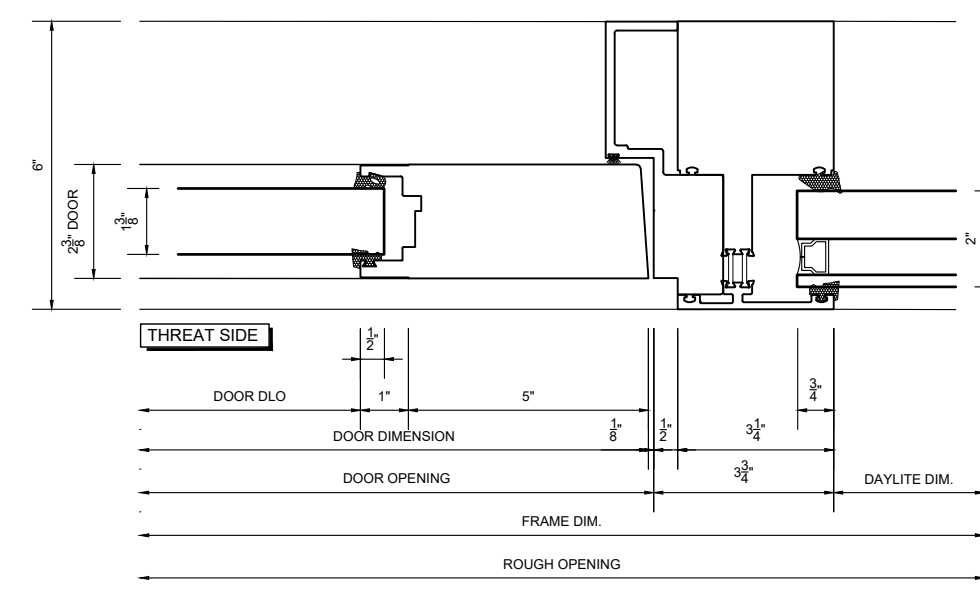
6 MEETING STILE DETAIL
SCALE: 3" = 1'-0"



7 DOOR BOTTOM DETAIL
SCALE: 3" = 1'-0"



8 DOOR JAMB DETAIL (HINGE)
SCALE: 3" = 1'-0"



9 DOOR JAMB DETAIL (STRIKE)
SCALE: 3" = 1'-0"

SHEET NUMBER:
2 of 2
JOB NUMBER:

44-350 + TTH600BR
DETAILS
SALES DRAWING

REVISIONS:	NO.	DATE	DESCRIPTION

SCALE: AS INDICATED	LOCATION:
DRAWN BY:	
DATE:	



1291 RICKETT ROAD
BRIGHTON, MI 48116
PHONE (810) 844 - 0776
FAX (810) 844 - 0920

DISCLAIMER: THE INFORMATION CONTAINED IN THIS DRAWING IS CONFIDENTIAL. IT IS THE EXCLUSIVE PROPERTY OF "INSULGARD". AUTHORIZED USE MUST BE APPROVED BY "INSULGARD". ANY UNAUTHORIZED REPRODUCTION AND/OR DISTRIBUTION IS PROHIBITED.