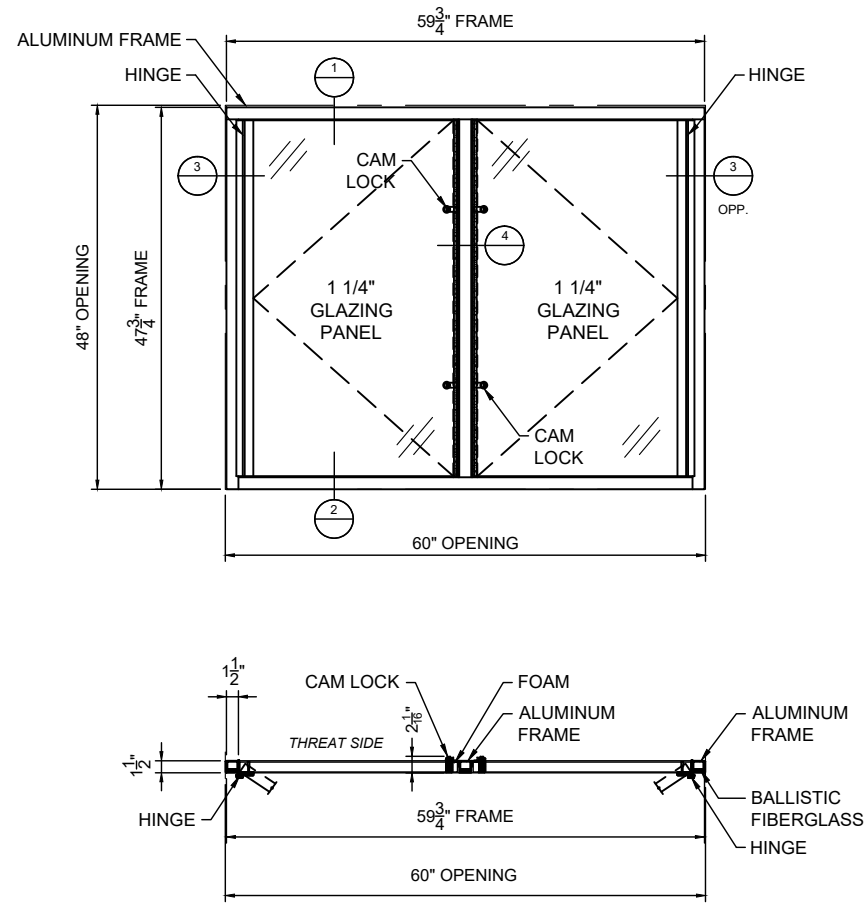


**NOTE:**

STANDARD DETAILS SHOW SPECIFIC SUBSTRATES MAY VARY.  
 SHIMS, CAULK, ANCHORS ALL BY "INSTALLER".  
 CONFIRM ALL OPENINGS, FRAMES SIZES AND PANEL SWINGS.  
 UNITS WITH (2) CAM LOCKS AT 1/4 POINTS OF FRAME HEIGHT.  
 UNITS WITH (1) CAM LOCK AT APPROX. 12" UP FROM BOTTOM OF FRAME.

INSULGARD IS NOT RESPONSIBLE FOR ANY TYPE OF HEAT BUILD UP, SWEATING, OR  
 BREAKAGE OF EXISTING GLASS DUE TO INSTALLATION OF THESE UNITS BEHIND  
 EXISTING WINDOWS.

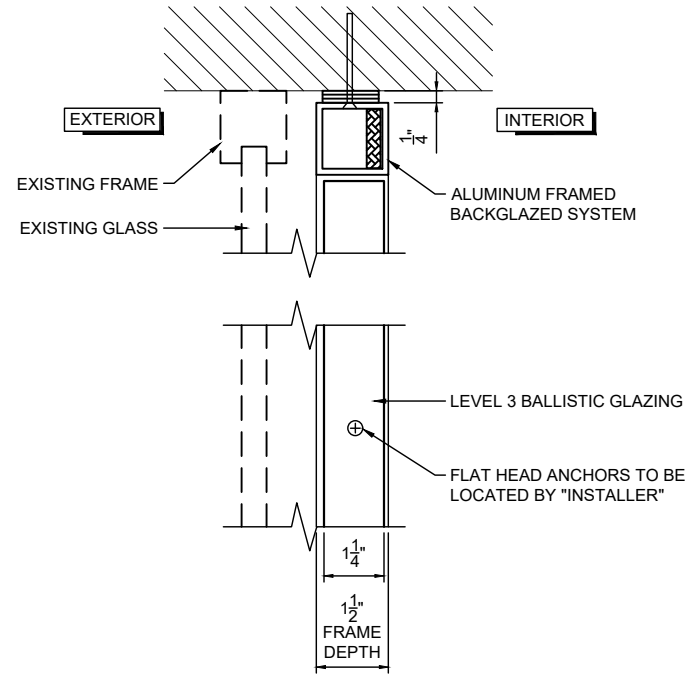


**WINDOW "A" ELEVATION AND PLAN VIEW FROM INTERIOR SIDE**

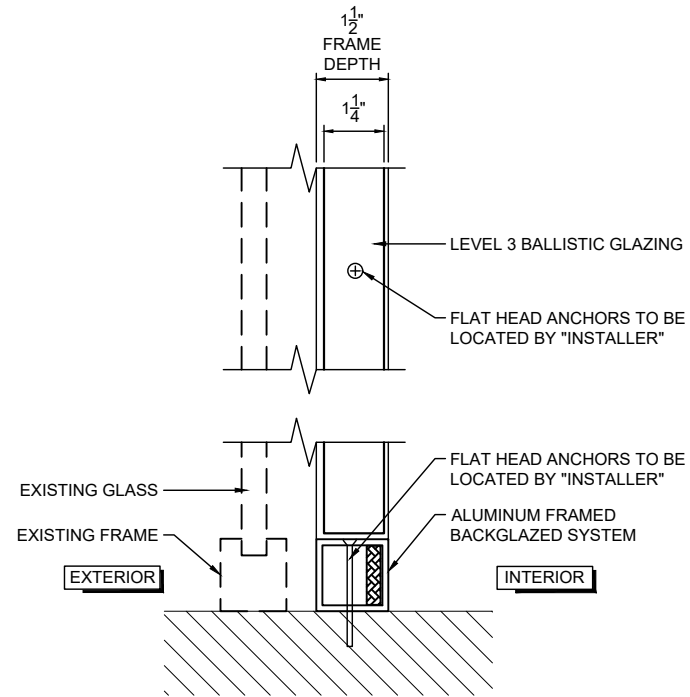
SCALE: 1/2" = 1'-0"

(FRAME IS SHOWN 1/4" SMALLER THAN OPENING IN WIDTH)  
 (FRAME IS SHOWN 1/4" SMALLER THAN OPENING IN HEIGHT)

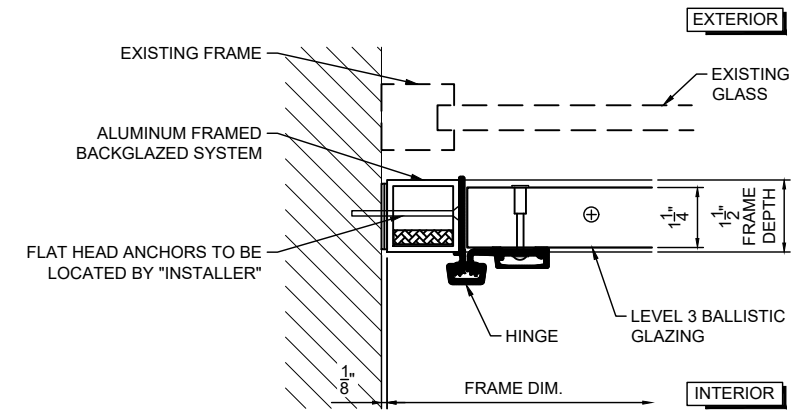
QTY: 1 UNIT AS SHOWN REQUIRED



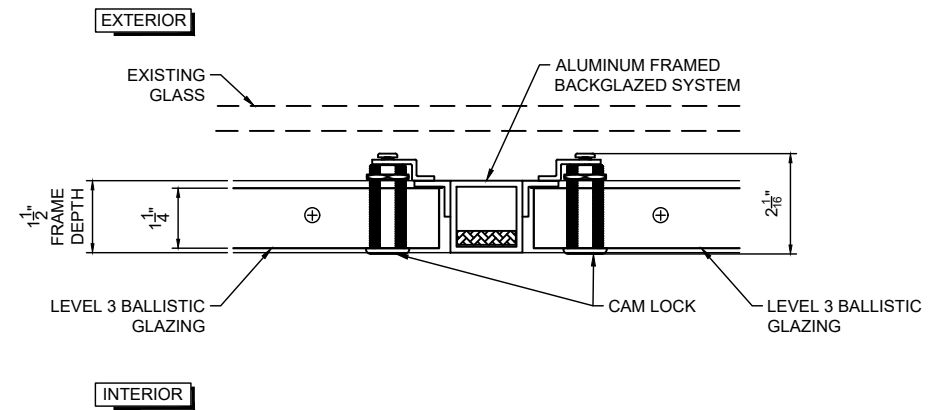
**1 HEAD DETAIL**  
 SCALE: 3" = 1'-0"



**2 SILL DETAIL**  
 SCALE: 3" = 1'-0"



**3 HINGE JAMB DETAIL**  
 SCALE: 3" = 1'-0"



**4 LATCH DETAIL**  
 SCALE: 3" = 1'-0"

SHEET NUMBER:  
**1 of 1**  
 JOB NUMBER:

**FRAMED BACKGLAZED WINDOW**  
**DOUBLE SYSTEM**  
**ELEVATIONS & DETAILS**

REVISIONS:  
 NO. DATE DESCRIPTION

SCALE: AS INDICATED  
 DRAWN BY:  
 DATE:

**INSULGARD**  
**SECURITY PRODUCTS**  
 1291 RICKETT ROAD  
 BRIGHTON, MI 48116  
 PHONE (810) 844 - 0776  
 FAX (810) 844 - 0920

DISCLAIMER: THE INFORMATION CONTAINED IN THIS DRAWING IS CONFIDENTIAL. IT IS THE EXCLUSIVE PROPERTY OF "INSULGARD". AUTHORIZED USE MUST BE APPROVED BY "INSULGARD". ANY UNAUTHORIZED REPRODUCTION AND/OR DISTRIBUTION IS PROHIBITED.