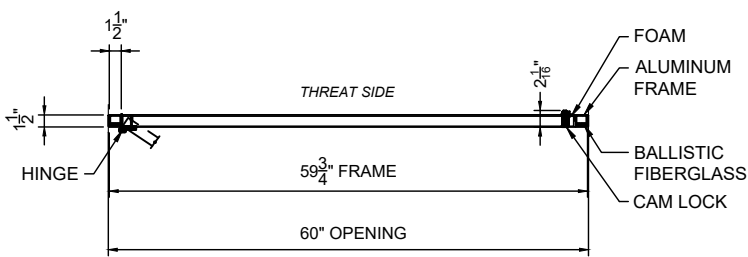
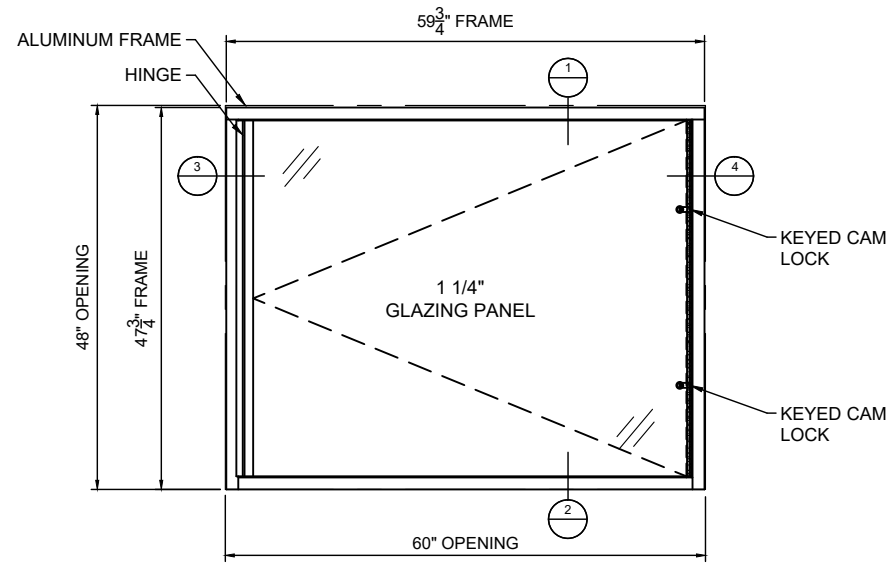


NOTE:

STANDARD DETAILS SHOW SPECIFIC SUBSTRATES MAY VARY.
 SHIMS, CAULK, ANCHORS ALL BY "INSTALLER".
 CONFIRM ALL OPENINGS, FRAMES SIZES AND PANEL SWINGS.
 UNITS WITH (2) CAM LOCKS AT 1/4 POINTS OF FRAME HEIGHT.
 UNITS WITH (1) CAM LOCK AT APPROX. 12" UP FROM BOTTOM OF FRAME.

INSULGARD IS NOT RESPONSIBLE FOR ANY TYPE OF HEAT BUILD UP, SWEATING, OR
 BREAKAGE OF EXISTING GLASS DUE TO INSTALLATION OF THESE UNITS BEHIND
 EXISTING WINDOWS.

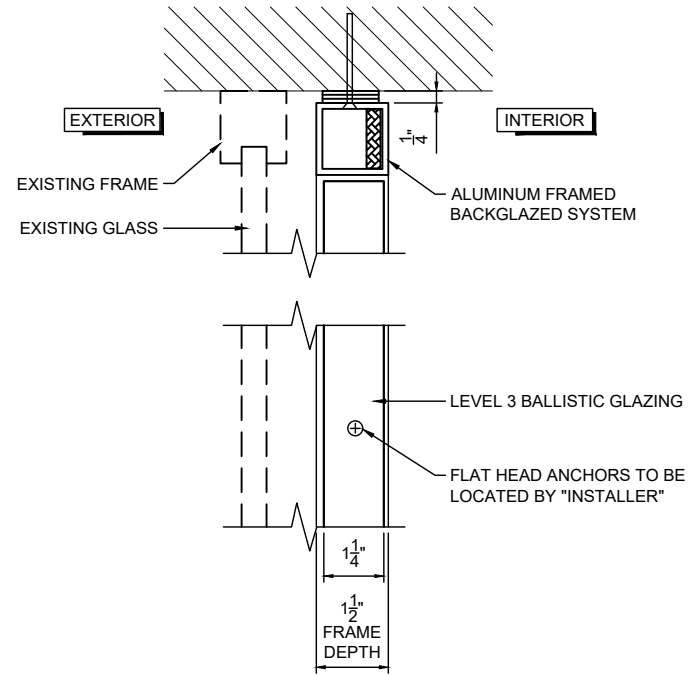


WINDOW "A" ELEVATION AND PLAN VIEW FROM INTERIOR SIDE

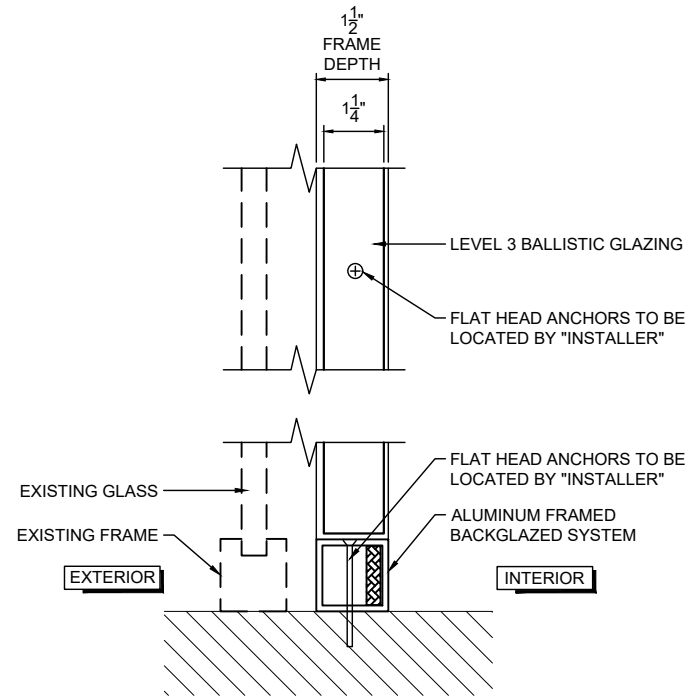
SCALE: 1/2" = 1'-0"

(FRAME IS SHOWN 1/4" SMALLER THAN OPENING IN WIDTH)
 (FRAME IS SHOWN 1/4" SMALLER THAN OPENING IN HEIGHT)

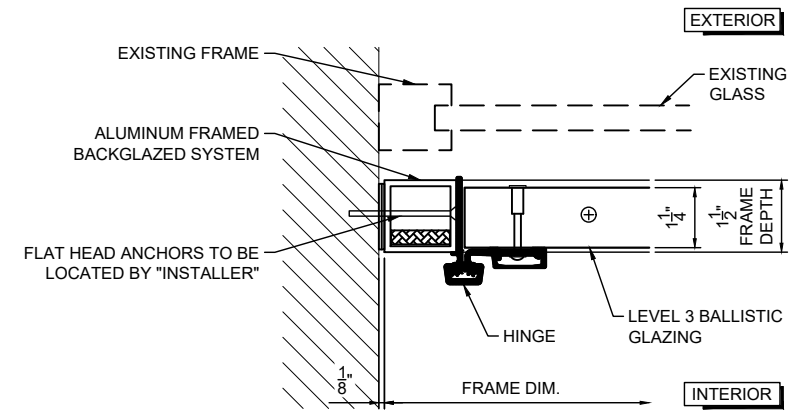
QTY: 1 UNIT AS SHOWN REQUIRED



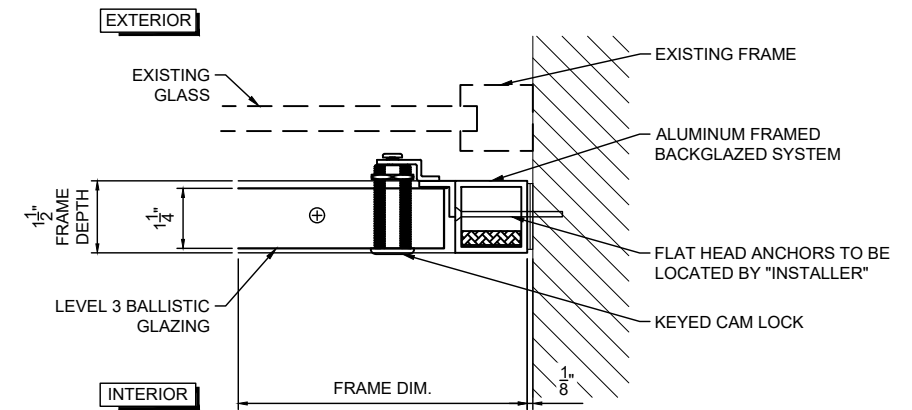
1 HEAD DETAIL
 SCALE: 3" = 1'-0"



2 SILL DETAIL
 SCALE: 3" = 1'-0"



3 HINGE JAMB DETAIL
 SCALE: 3" = 1'-0"



4 LATCH JAMB DETAIL
 SCALE: 3" = 1'-0"

SHEET NUMBER:
 1 of 1
 JOB NUMBER:

**FRAMED BACKGLAZED WINDOW
 SINGLE SYSTEM
 ELEVATIONS & DETAILS**

REVISIONS:
 NO. DATE DESCRIPTION

SCALE:
 AS INDICATED
 DRAWN BY:
 DATE:

INSULGARD
 SECURITY PRODUCTS
 1291 RICKETT ROAD
 BRIGHTON, MI 48116
 PHONE (810) 844 - 0776
 FAX (810) 844 - 0920

DISCLAIMER:
 THE INFORMATION CONTAINED IN THIS DRAWING IS CONFIDENTIAL. IT IS THE EXCLUSIVE PROPERTY OF "INSULGARD". AUTHORIZED USE MUST BE APPROVED BY "INSULGARD". ANY UNAUTHORIZED REPRODUCTION AND/OR DISTRIBUTION IS PROHIBITED.