

NOTE:

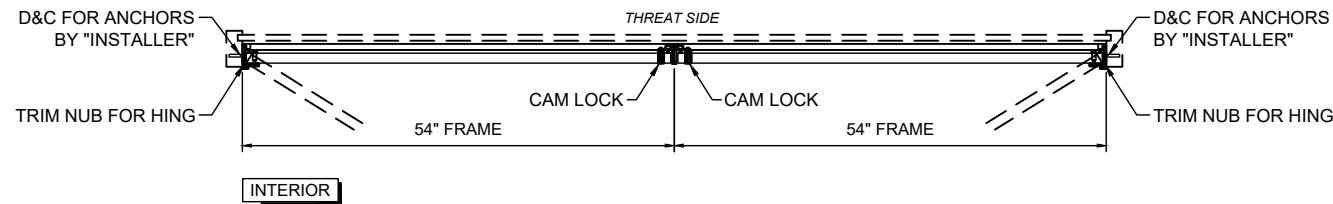
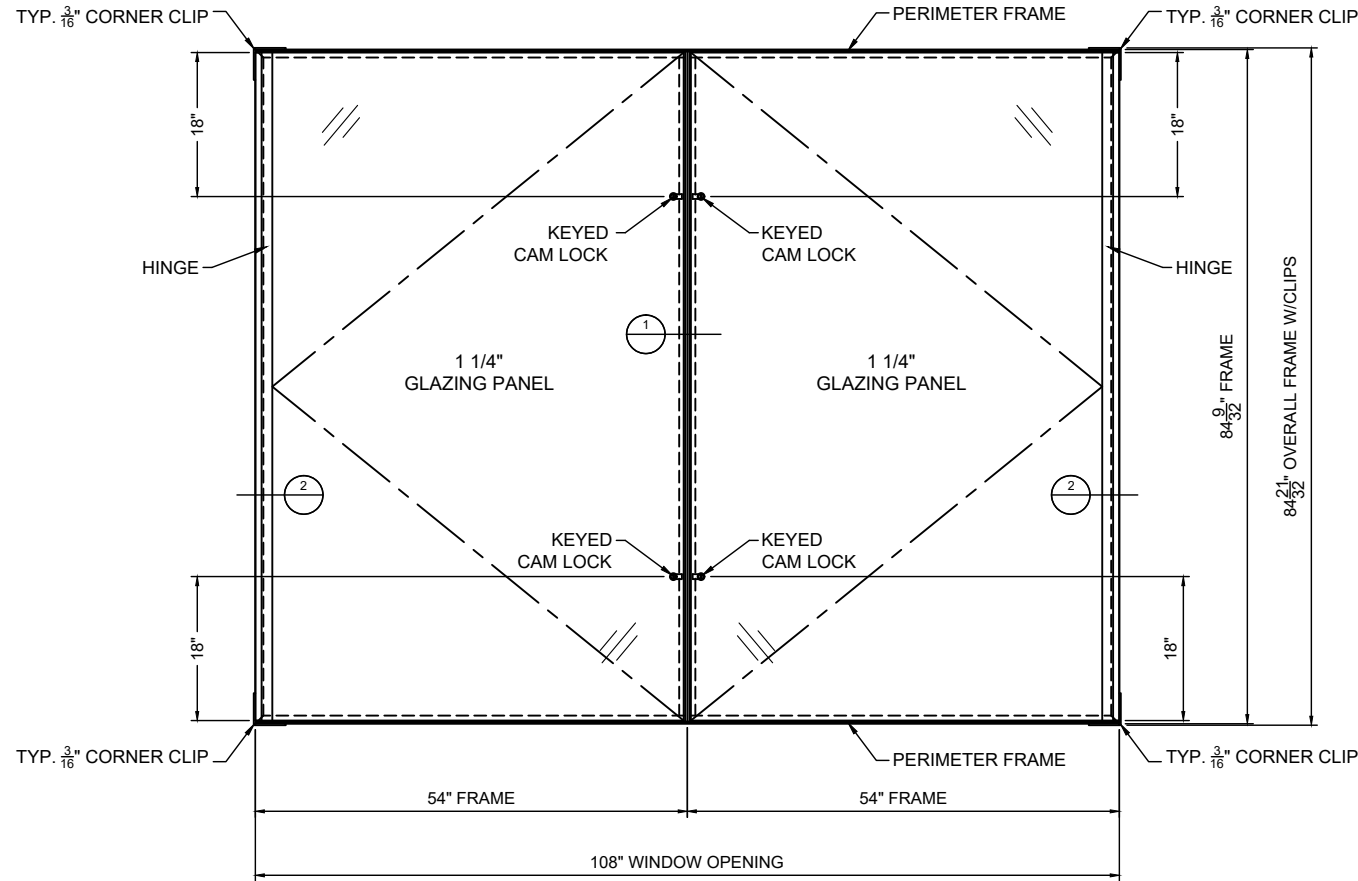
ALL SHIMS, ANCHORS, AND CAULK ARE TO BE SUPPLIED BY THE "INSTALLER".
RECOMMEND SOLID ATTACHMENT AT JAMBS FOR HINGE, SO PANEL WILL NOT SAG.
ALL D&C MOUNTING HOLES TO BE DRILLED ON SITE BY "INSTALLER".

* SEE NOTE BELOW FOR RECOMMENDED HINGE LOADS.

INSULGARD IS NOT RESPONSIBLE FOR ANY TYPE OF HEAT BUILD UP, SWEATING, OR BREAKAGE OF EXISTING GLASS DUE TO INSTALLATION OF THESE UNITS BEHIND EXISTING WINDOWS.

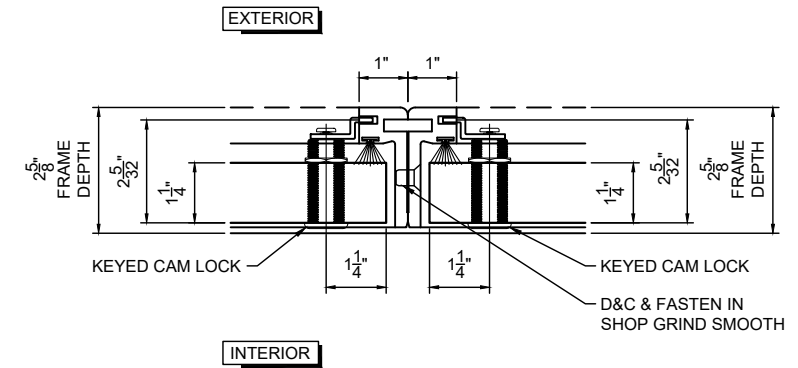
SL-53 HINGE LOAD/FREQUENCY RATINGS:

FOR 1-3/8" - 1-3/4" DOORS STANDARD; LONG BARREL NUTS AVAILABLE FOR 2" - 2-1/4" DOORS. 48" MAX. DOOR WIDTH IN 16 GAUGE HOLLOW METAL (MIN.) OR 1/8" ALUMINUM (MIN.).
HEAVY DUTY - TESTED PER BHMA STANDARDS. UP TO 200 LB. DOORS (HIGH-FREQUENCY) AND UP TO 400 LB. DOORS (MEDIUM-FREQUENCY) WITHOUT FRAME OR DOOR REINFORCEMENT; UP TO 600 LB. DOORS (LOW-FREQUENCY) WITH THE USE OF RIVNUTS IN THE FRAME.

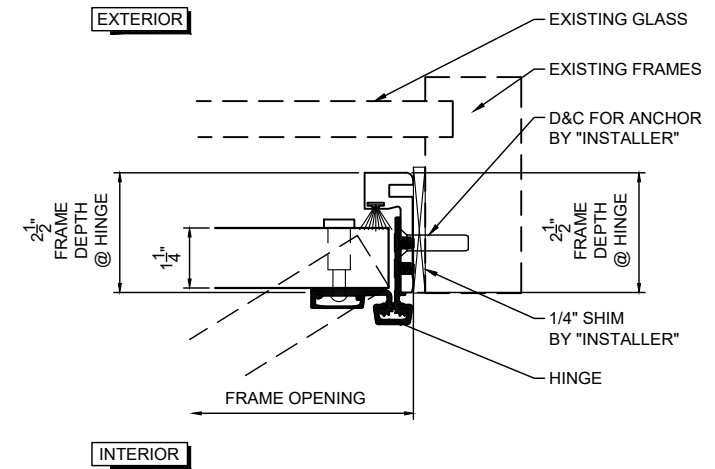


WINDOW "A1" ELEVATION VIEW FROM INTERIOR SIDE
SCALE: 1/2" = 1'-0"

(FRAME IS SHOWN TIGHT IN WIDTH)
(FRAME IS SHOWN 1/2" SMALLER THAN OPENING IN HEIGHT)



1 LATCH JAMB AT MULLION
SCALE: 3" = 1'-0"



2 HINGE JAMB DETAIL
SCALE: 3" = 1'-0"

SHEET NUMBER:
1 of 1
JOB NUMBER:

**FRAMELESS BACKGLAZED WINDOW
DOUBLE SYSTEM
ELEVATIONS & DETAILS**

REVISIONS:
NO. DATE DESCRIPTION

SCALE: AS INDICATED
DRAWN BY:
DATE:

INSULGARD SECURITY PRODUCTS
1291 RICKETT ROAD BRIGHTON, MI 48116
PHONE (810) 844 - 0776 FAX (810) 844 - 0920

DISCLAIMER: THE INFORMATION CONTAINED IN THIS DRAWING IS CONFIDENTIAL. IT IS THE EXCLUSIVE PROPERTY OF "INSULGARD". AUTHORIZED USE MUST BE APPROVED BY "INSULGARD". ANY UNAUTHORIZED REPRODUCTION AND/OR DISTRIBUTION IS PROHIBITED.