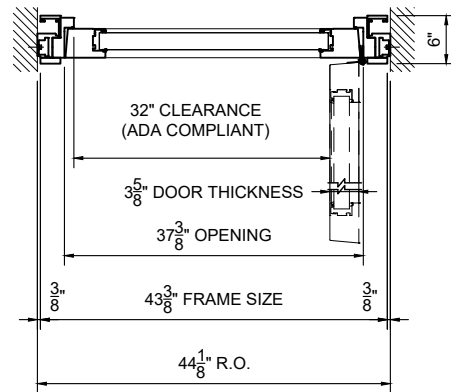
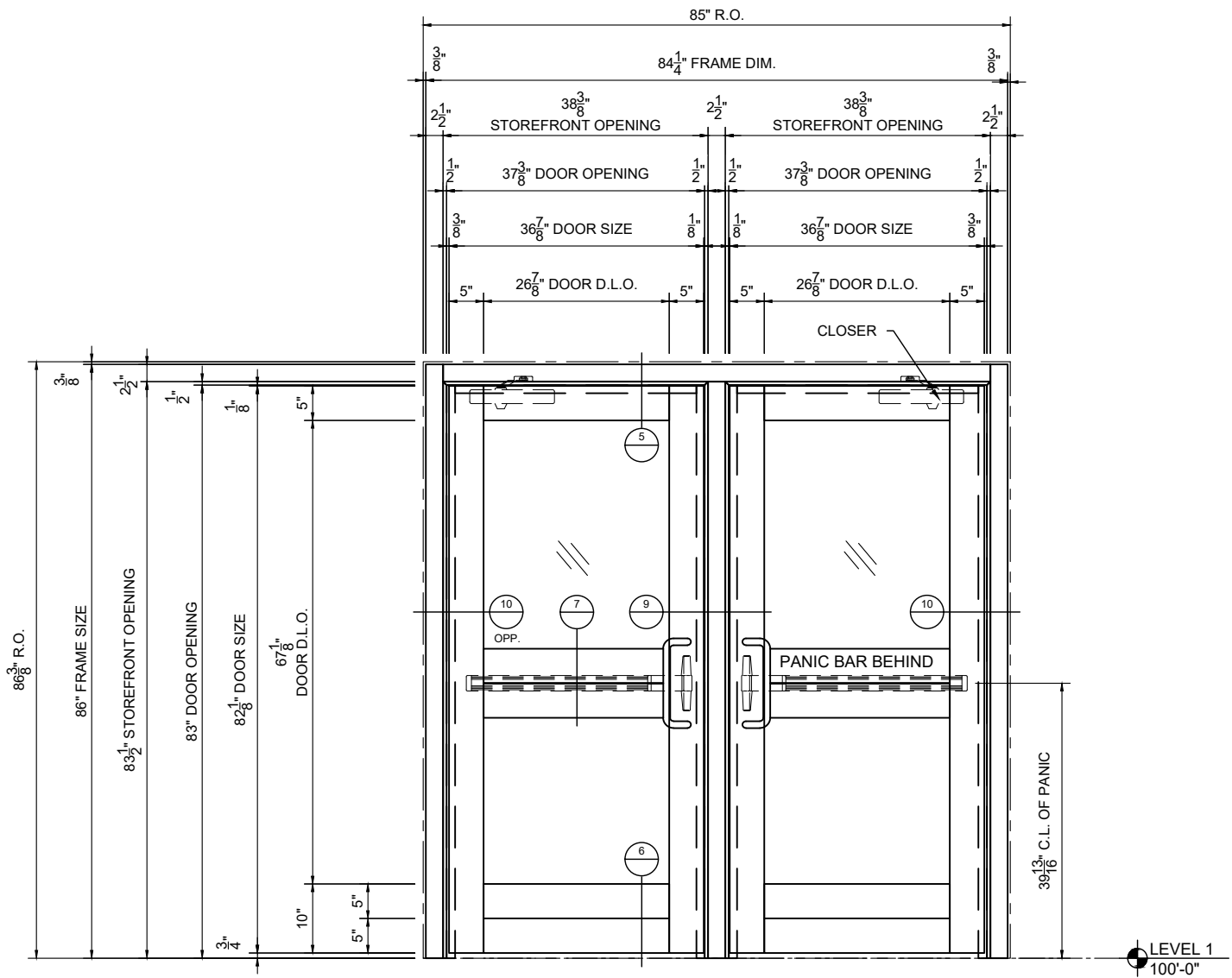


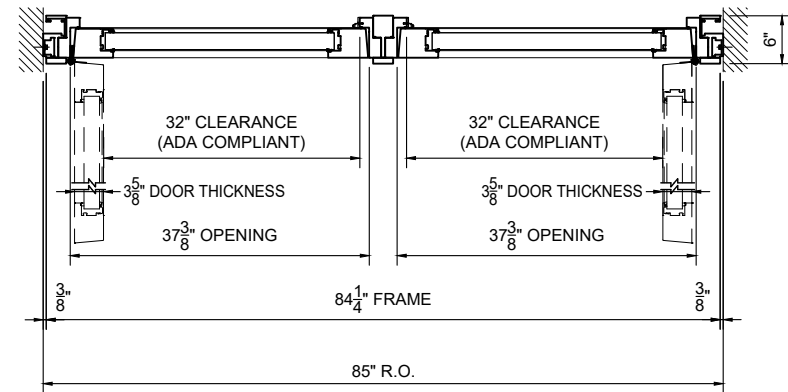
1 SINGLE DOOR ELEVATION  
SCALE: 1/2" = 1'-0"



2 SINGLE DOOR PLAN  
SCALE: 1/2" = 1'-0"



3 PAIR DOOR ELEVATION  
SCALE: 1/2" = 1'-0"



4 PAIR DOOR PLAN  
SCALE: 1/2" = 1'-0"

SHEET NUMBER:  
1 of 2  
JOB NUMBER:

HP500 - SALES DRAWING  
ELEVATIONS & PLANS

REVISIONS: NO. DATE DESCRIPTION

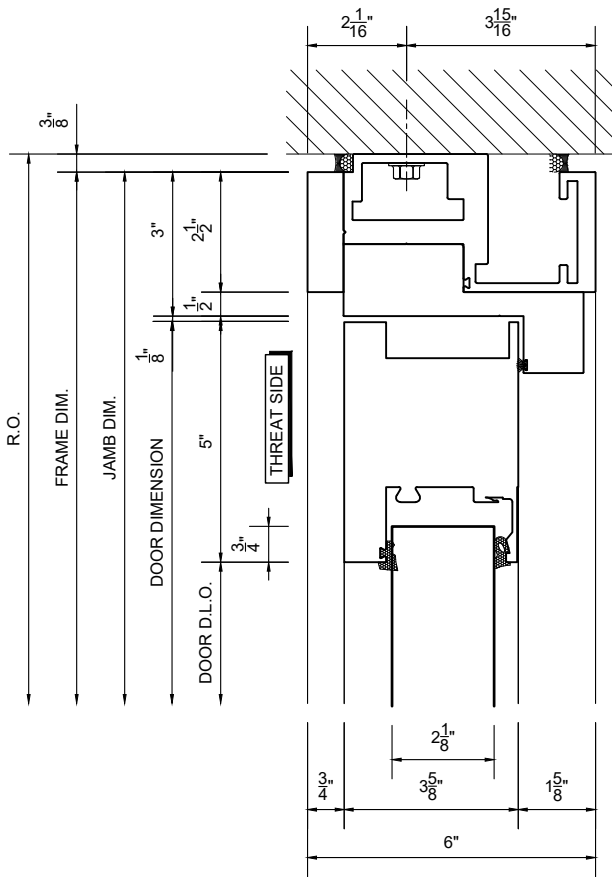
SCALE: AS INDICATED  
DRAWN BY:  
DATE:

LOCATION:

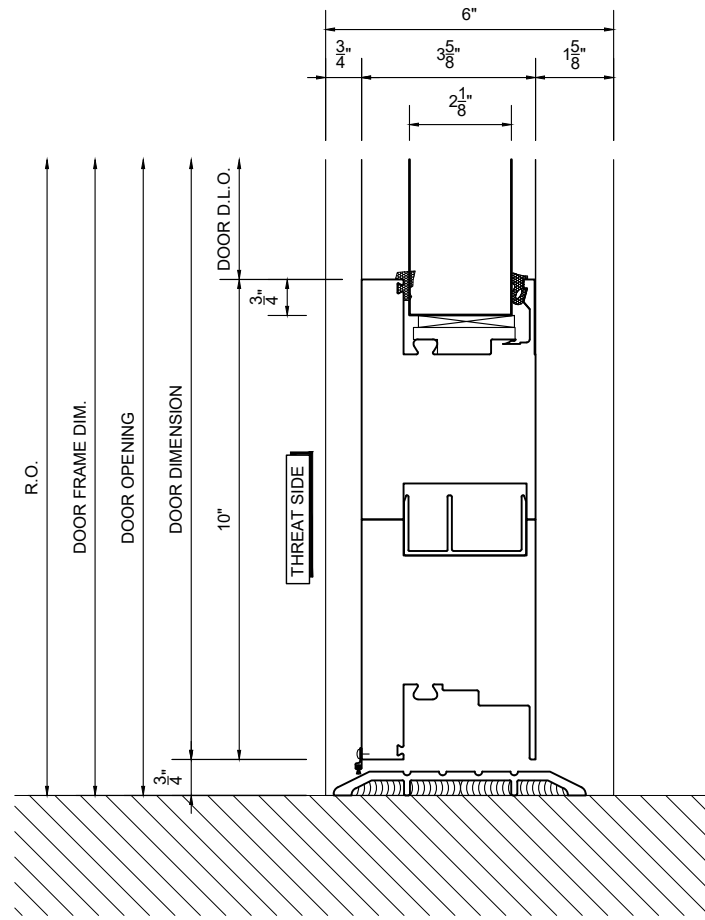


1291 RICKETT ROAD BRIGHTON, MI 48116  
PHONE (810) 844 - 0776 FAX (810) 844 - 0920

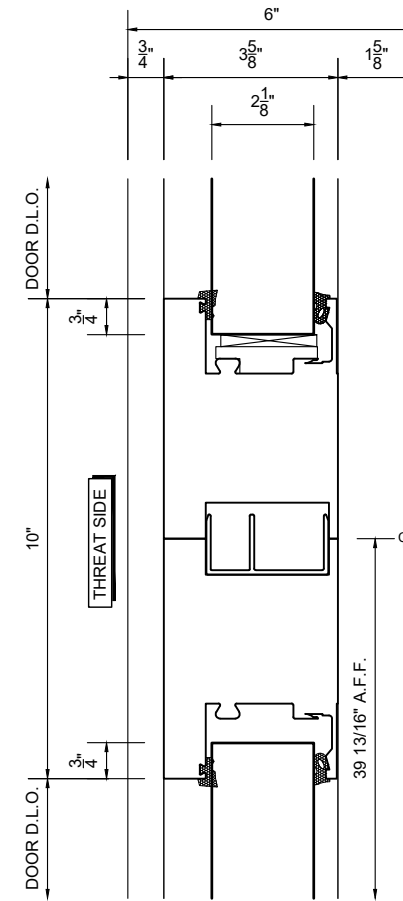
DISCLAIMER: THE INFORMATION CONTAINED IN THIS DRAWING IS CONFIDENTIAL. IT IS THE EXCLUSIVE PROPERTY OF "INSULGARD". AUTHORIZED USE MUST BE APPROVED BY "INSULGARD". ANY UNAUTHORIZED REPRODUCTION AND/OR DISTRIBUTION IS PROHIBITED.



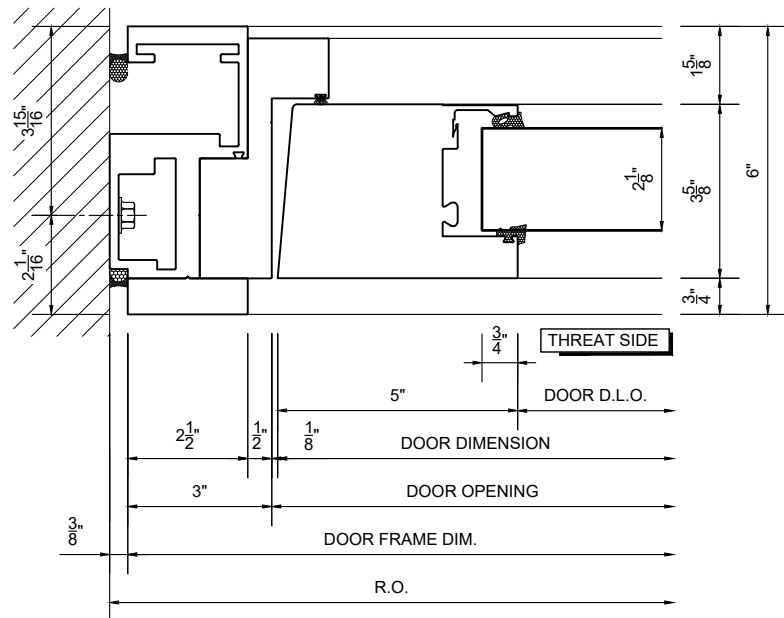
5 DOOR HEAD DETAIL  
SCALE: 3" = 1'-0"



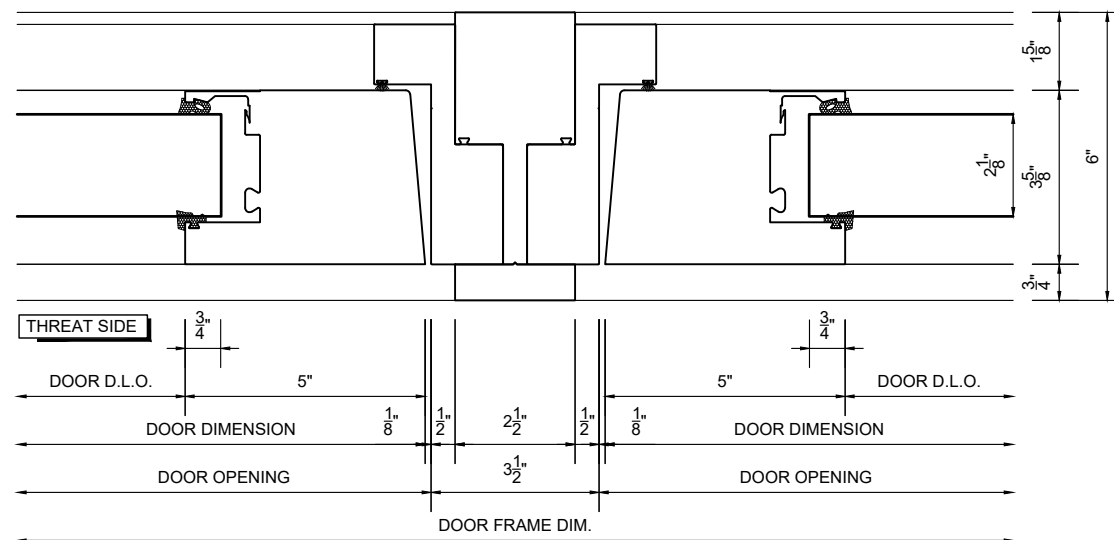
6 DOOR BOTTOM DETAIL  
SCALE: 3" = 1'-0"



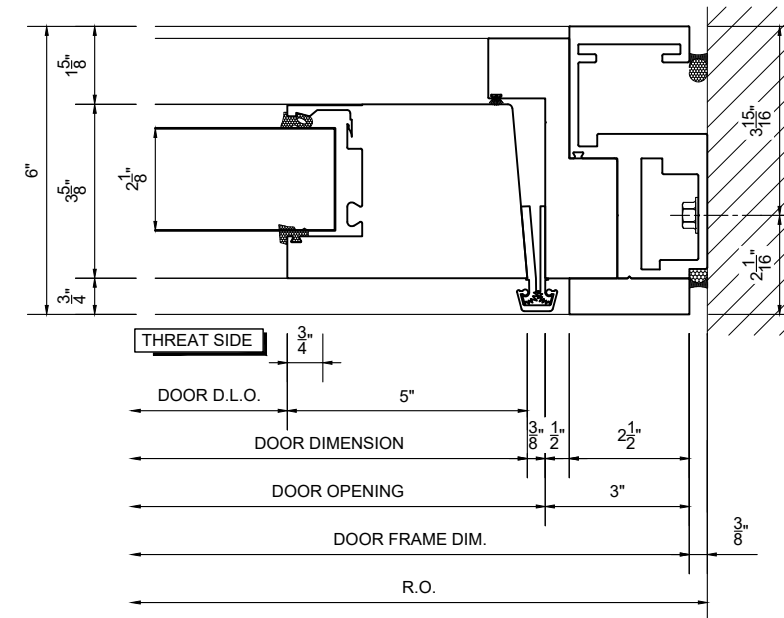
7 DOOR MIDRAIL DETAIL  
SCALE: 3" = 1'-0"



8 DOOR JAMB DETAIL (STRIKE)  
SCALE: 3" = 1'-0"



9 MEETING STILE DETAIL  
SCALE: 3" = 1'-0"



10 DOOR JAMB DETAIL (HINGE)  
SCALE: 3" = 1'-0"

SHEET NUMBER:  
2 of 2  
JOB NUMBER:

HP500 - SALES DRAWING  
DETAILS

REVISIONS:	NO.	DATE	DESCRIPTION
AS INDICATED			

SCALE: AS INDICATED  
DRAWN BY:  
DATE:

**INSULGARD SECURITY PRODUCTS**  
1291 RICKETT ROAD  
PHONE (810) 844 - 0776  
BRIGHTON, MI 48116  
FAX (810) 844 - 0920

DISCLAIMER: THE INFORMATION CONTAINED IN THIS DRAWING IS CONFIDENTIAL. IT IS THE EXCLUSIVE PROPERTY OF "INSULGARD". AUTHORIZED USE MUST BE APPROVED BY "INSULGARD". ANY UNAUTHORIZED REPRODUCTION AND/OR DISTRIBUTION IS PROHIBITED.