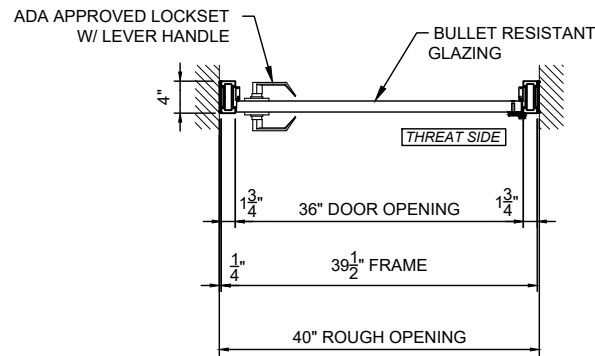
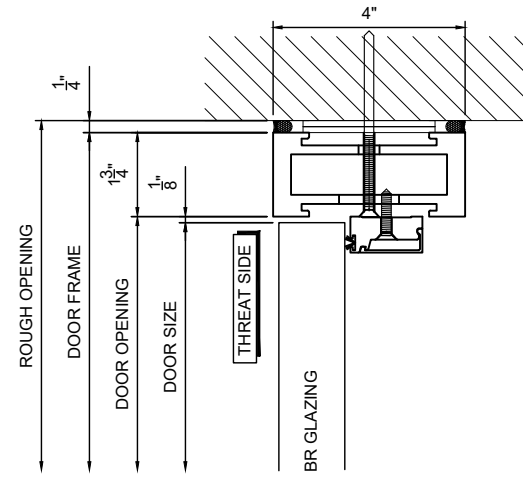


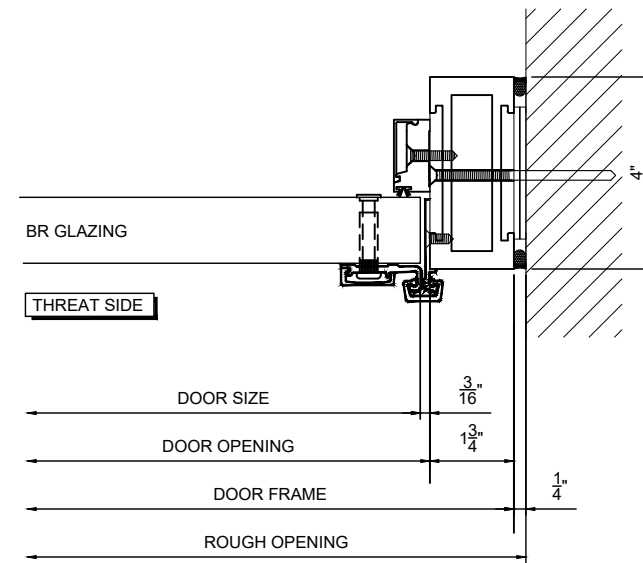
1 SINGLE DOOR ELEVATION
SCALE: 1/2" = 1'-0"



2 SINGLE DOOR PLAN
SCALE: 1/2" = 1'-0"



3 DOOR HEAD DETAIL
SCALE: 3" = 1'-0"



4 DOOR JAMB DETAIL (HINGE)
SCALE: 3" = 1'-0"

- NOTES:**
1. HARDWARE SUPPLIED BY INSULGARD
 2. SELECT SL-53 CONTINUOUS ALUMINUM GEAR HINGE
 3. LSDA CYLINDRICAL LEVER LOCKSET
 4. SS KICKPLATE (BOTH SIDES)
 5. INTERNATIONAL SURFACE DOOR CLOSER
 6. ANTI-JIMMY PLATE (OUTSWING DOORS ONLY)

SHEET NUMBER:
1 of 1
JOB NUMBER:

**POLYMER DOOR SYSTEM
ELEVATION & SECTION
SALES DRAWING**

REVISIONS:	DESCRIPTION
NO. DATE	

SCALE: AS INDICATED
DRAWN BY:
DATE:



INSULGARD SECURITY PRODUCTS
1291 RICKETT ROAD BRIGHTON, MI 48116
PHONE (810) 844 - 0776 FAX (810) 844 - 0920

DISCLAIMER: THE INFORMATION CONTAINED IN THIS DRAWING IS CONFIDENTIAL. IT IS THE EXCLUSIVE PROPERTY OF "INSULGARD". AUTHORIZED USE MUST BE APPROVED BY "INSULGARD". ANY UNAUTHORIZED REPRODUCTION AND/OR DISTRIBUTION IS PROHIBITED.