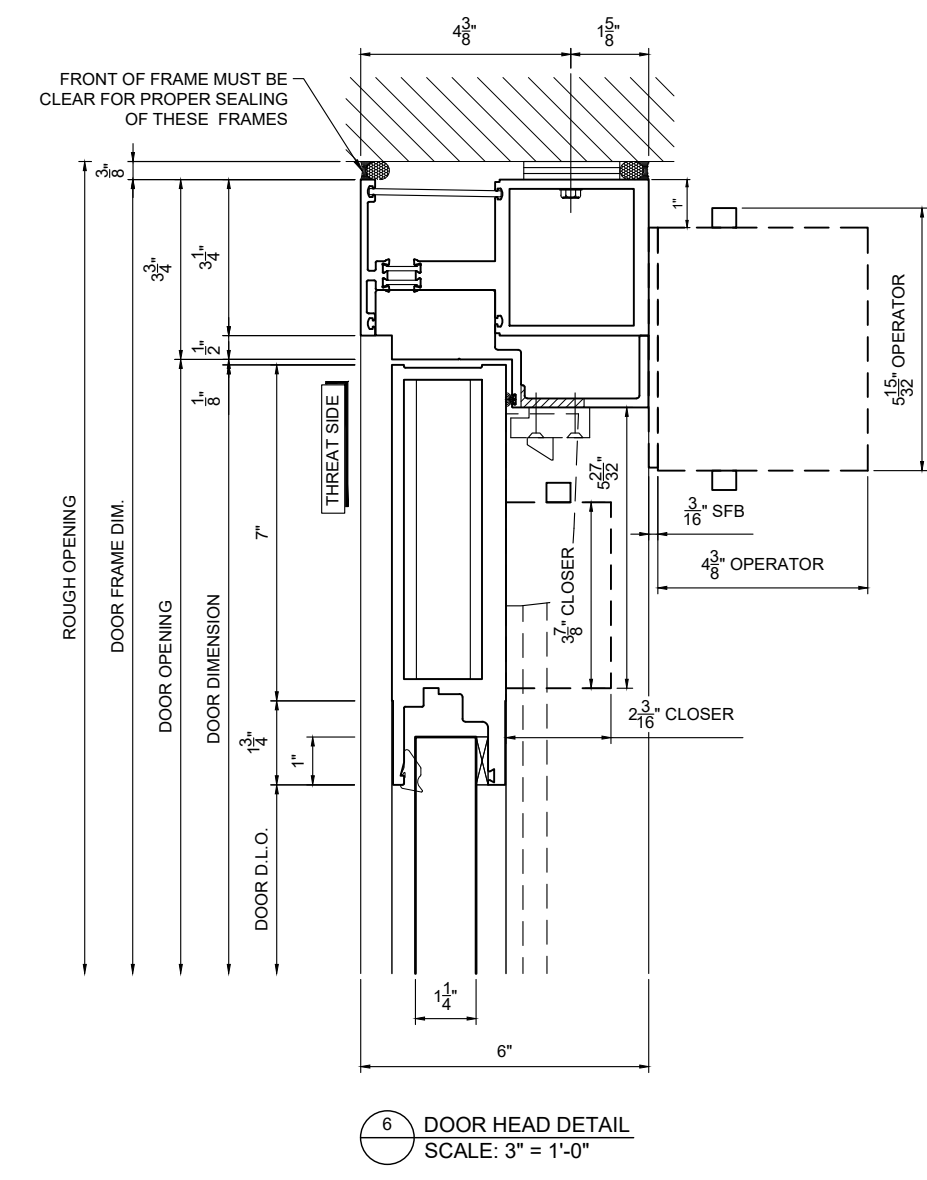
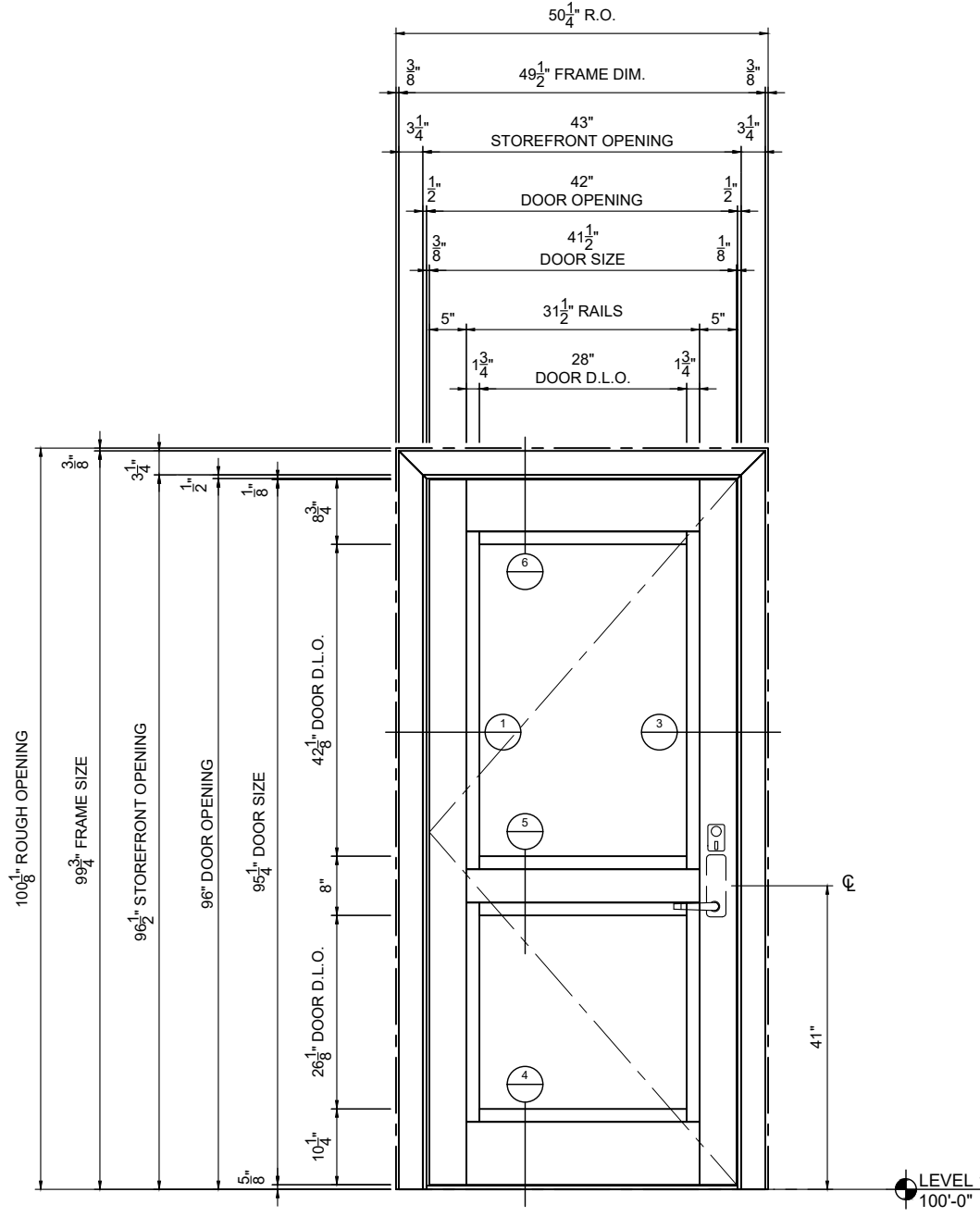
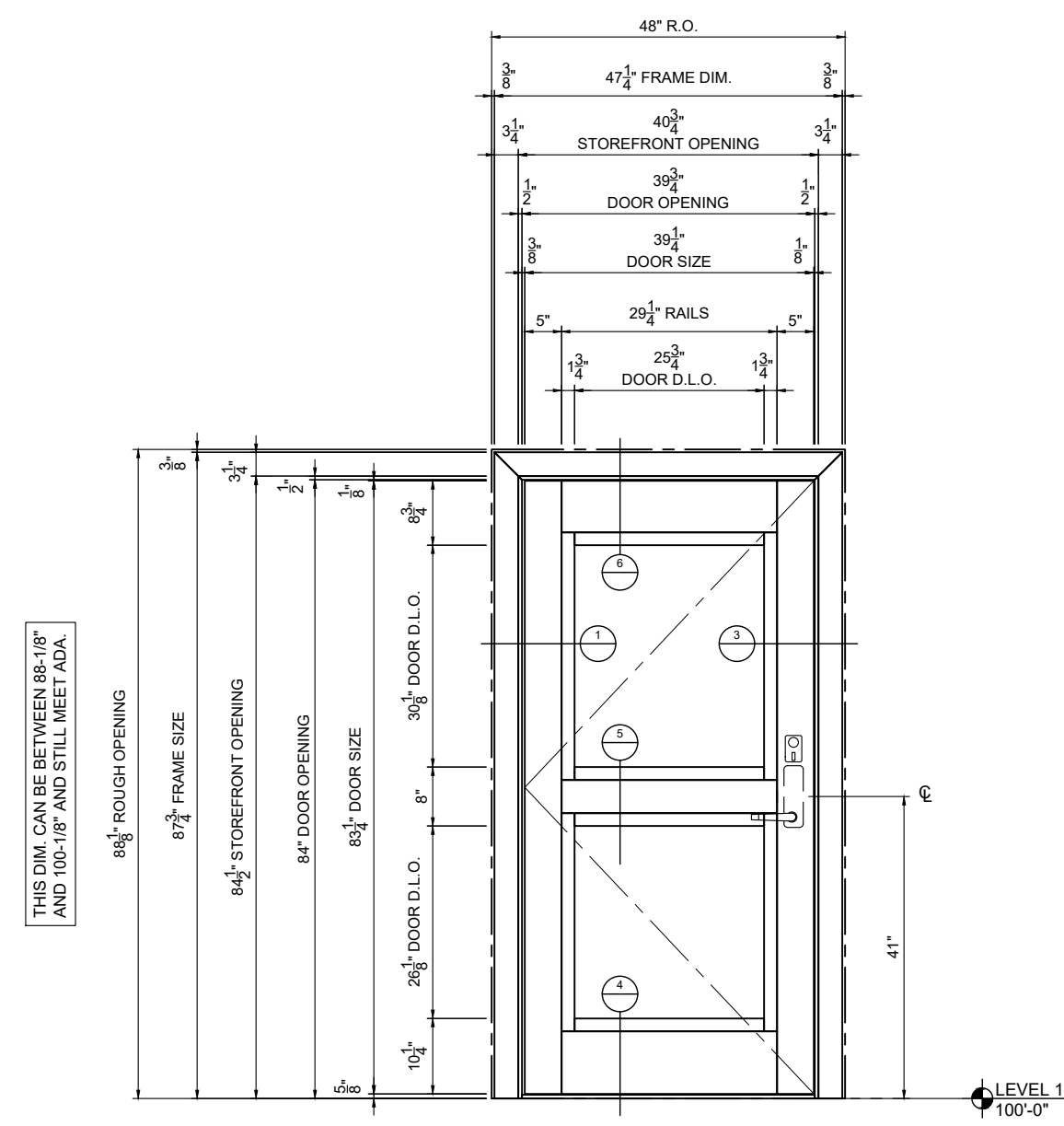
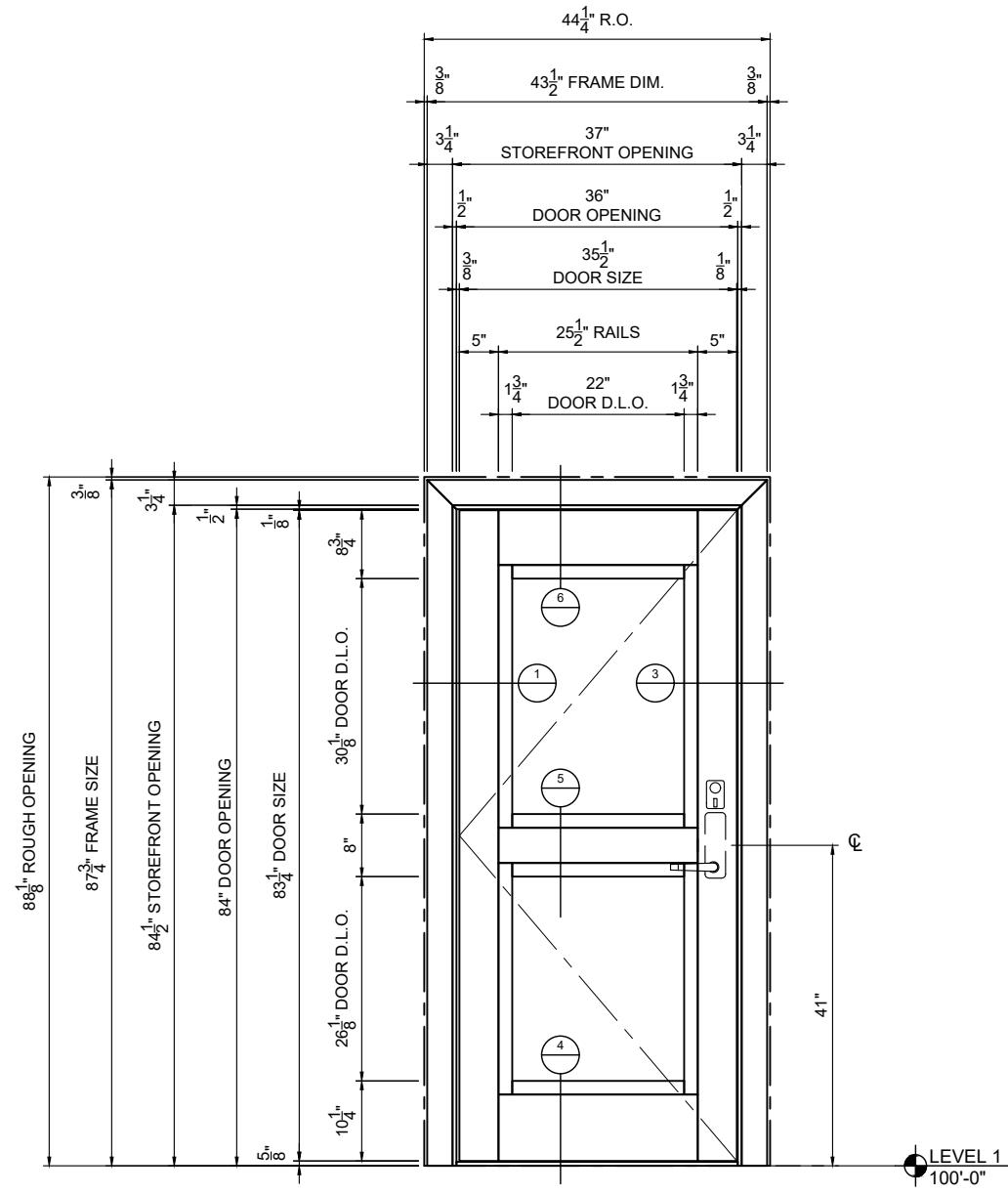
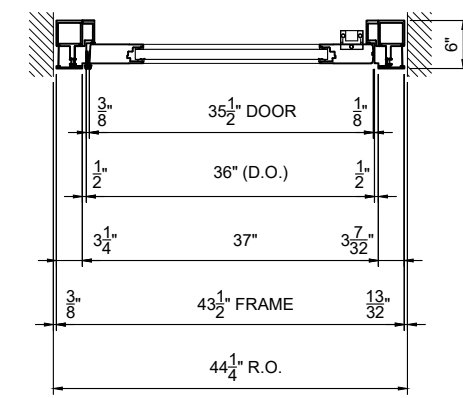


ADDITIONAL LIMITATIONS EXIST BASED ON SUBSTRATE TYPE/CONDITIONS. CONTACT A REP FOR ASSISTANCE

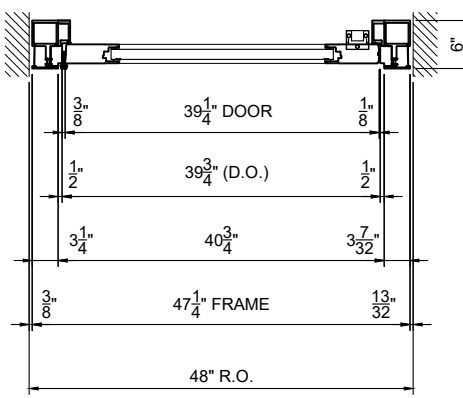


6 DOOR HEAD DETAIL  
SCALE: 3" = 1'-0"

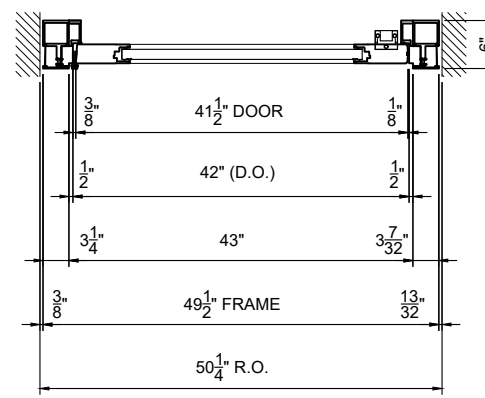
MIN. TESTED SINGLE OUTSWING DOOR  
SCALE: 1/2" = 1'-0"



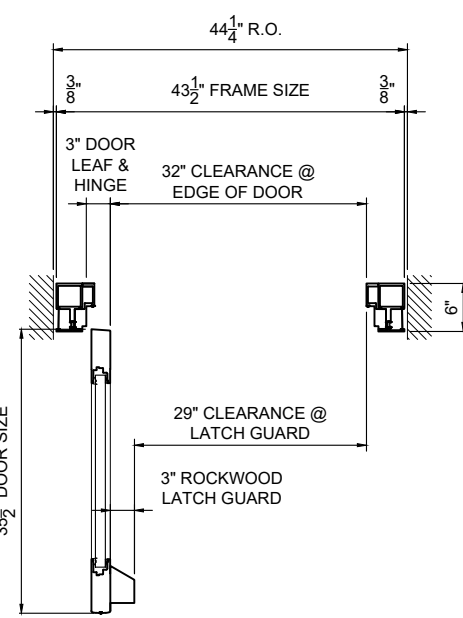
MIN. ADA SINGLE OUTSWING DOOR  
SCALE: 1/2" = 1'-0"



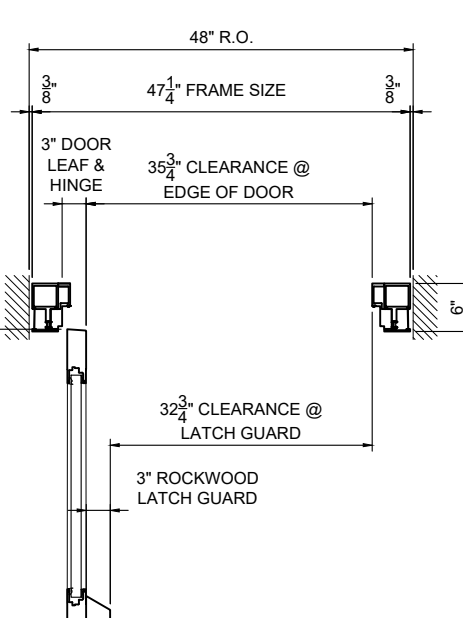
MAX. TESTED SINGLE OUTSWING DOOR  
SCALE: 1/2" = 1'-0"



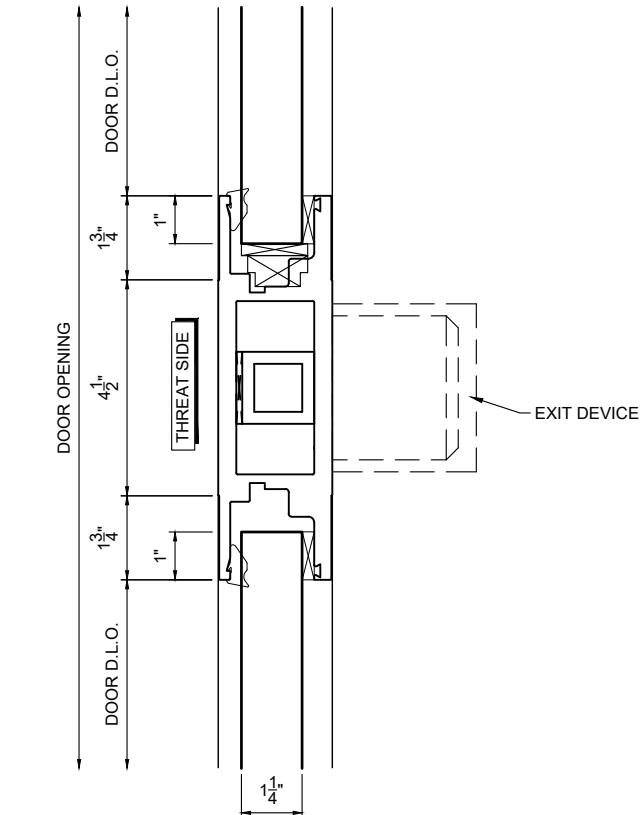
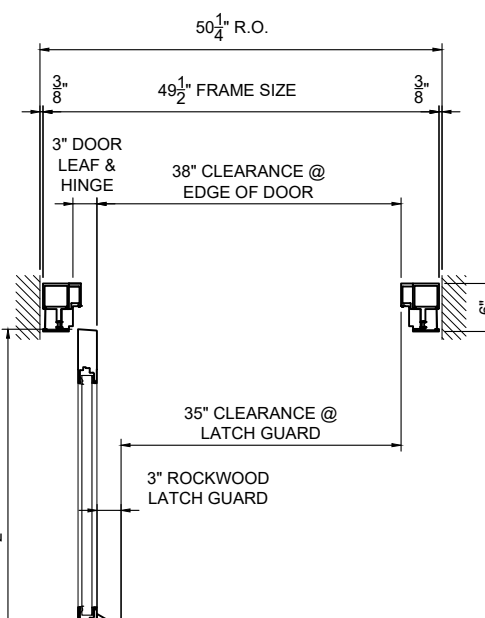
MIN. TESTED SINGLE OUTSWING DOOR



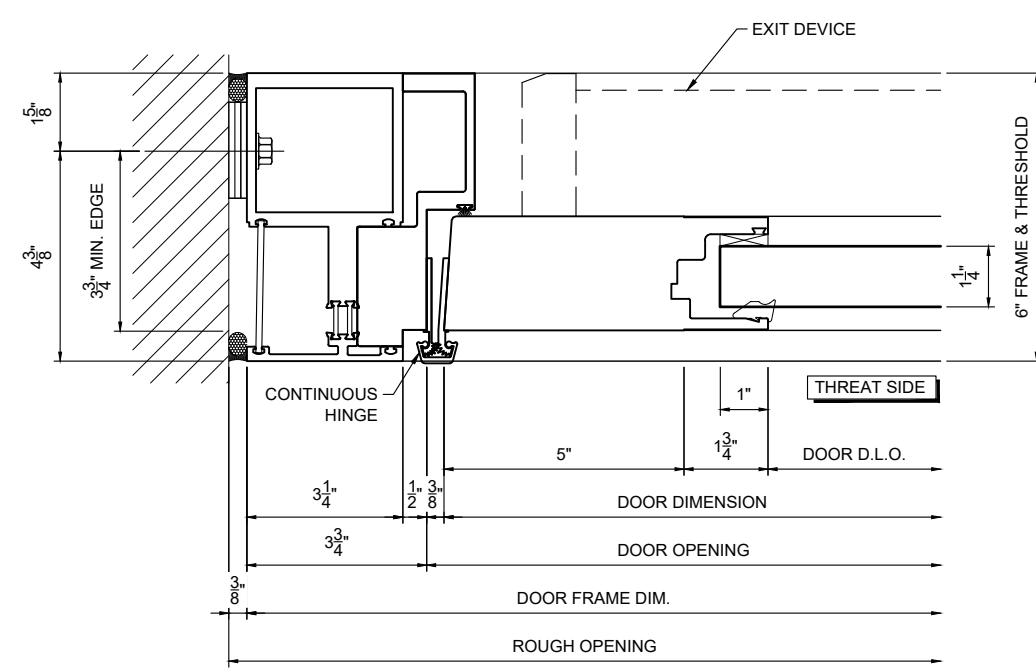
MIN. ADA SINGLE OUTSWING DOOR



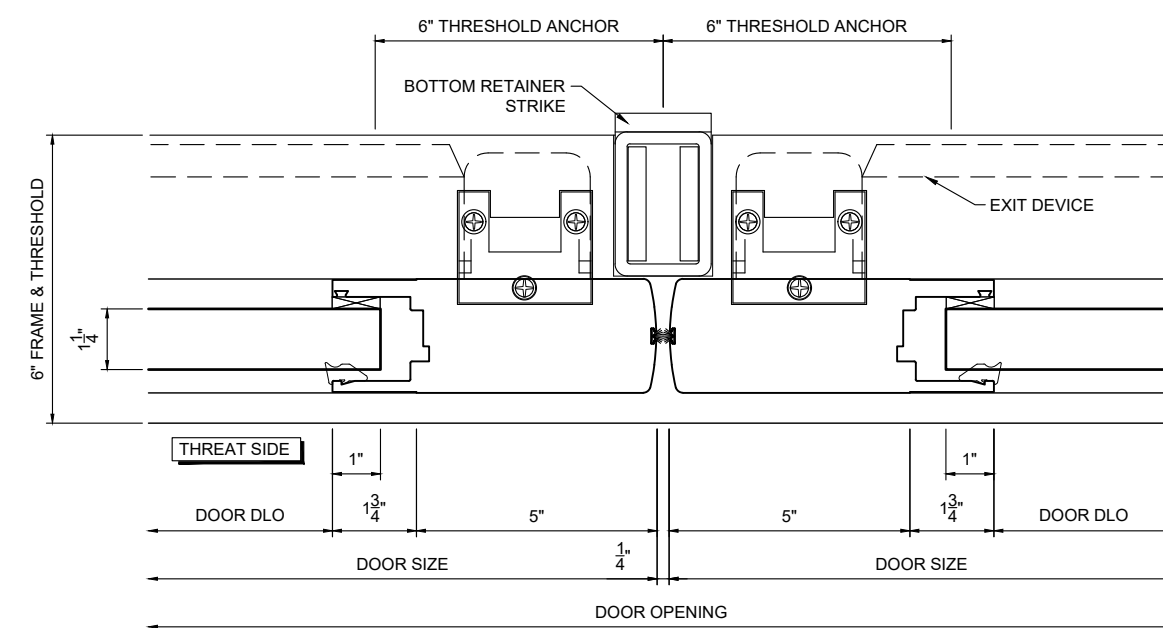
MAX. TESTED SINGLE OUTSWING DOOR



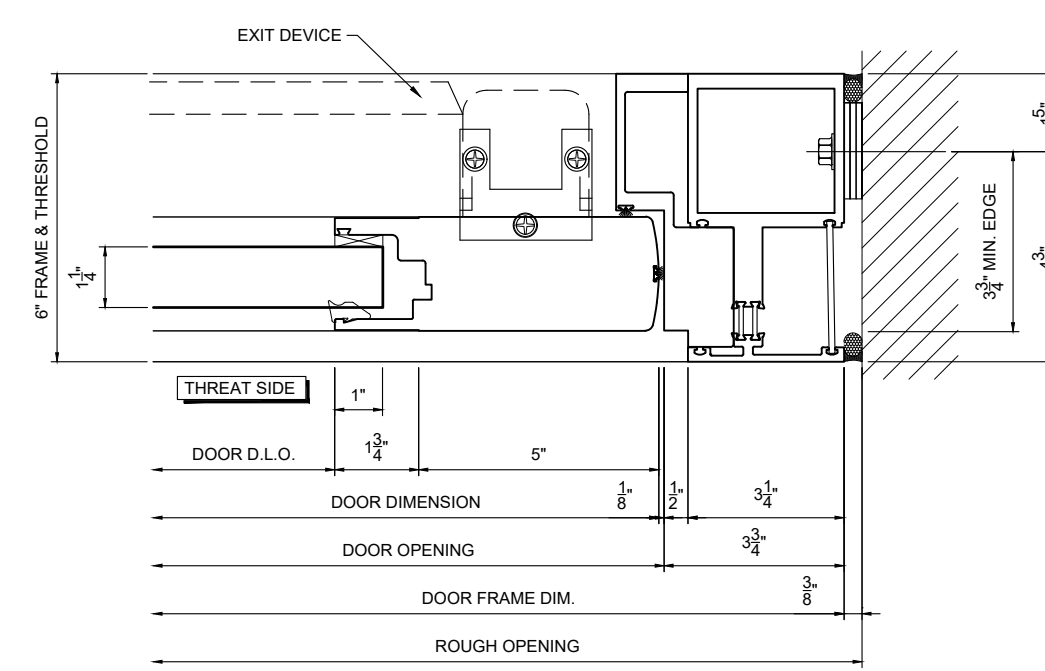
5 DOOR MIDRAIL DETAIL  
SCALE: 3" = 1'-0"



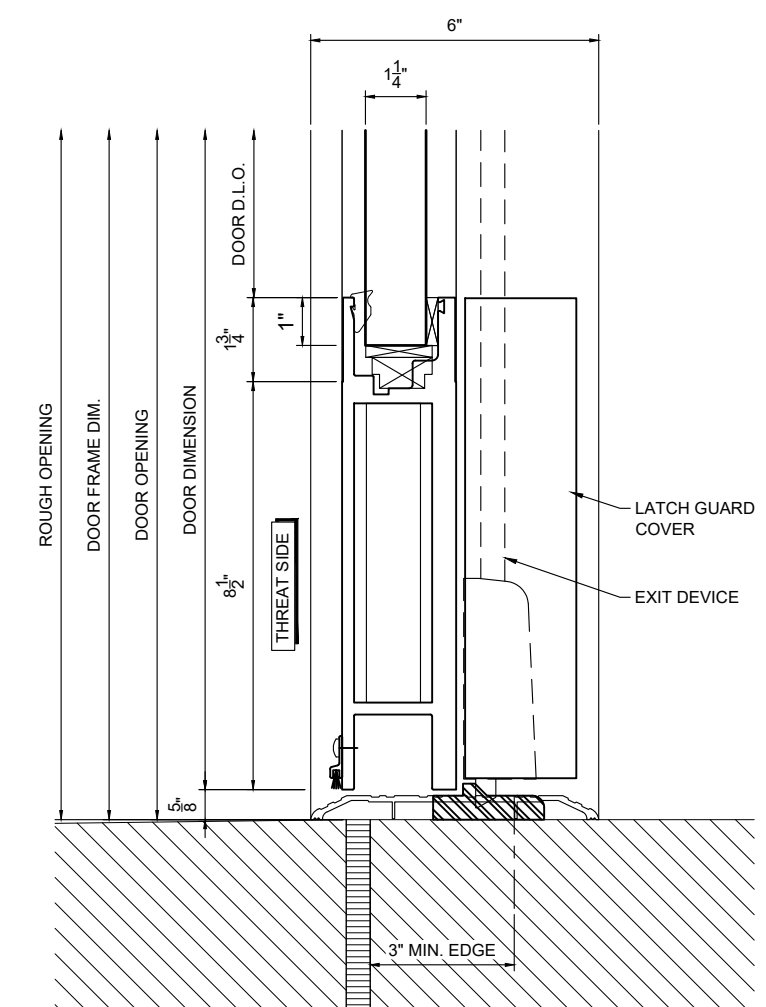
1 DOOR JAMB DETAIL (HINGE)  
SCALE: 3" = 1'-0"



2 MEETING STILE DETAIL  
SCALE: 3" = 1'-0"



3 DOOR JAMB DETAIL (STRIKE)  
SCALE: 3" = 1'-0"



4 DOOR BOTTOM DETAIL  
SCALE: 3" = 1'-0"

SHEET NUMBER:  
1 of 1  
JOB NUMBER:

TTH350 - SALES DRAWING  
SINGLE DOOR FRAMES  
ELEVATIONS & DETAILS

REVISIONS:  
NO. DATE DESCRIPTION

SCALE:  
AS INDICATED  
DRAWN BY:

DATE:

INSULGARD SECURITY PRODUCTS  
1291 RICKETT ROAD BRIGHTON, MI 48116  
PHONE (810) 844 - 0776 FAX (810) 844 - 0920

DISCLAIMER: THE INFORMATION CONTAINED IN THIS DRAWING IS CONFIDENTIAL. IT IS THE EXCLUSIVE PROPERTY OF "INSULGARD". AUTHORIZED USE MUST BE APPROVED BY "INSULGARD". ANY UNAUTHORIZED REPRODUCTION AND/OR DISTRIBUTION IS PROHIBITED.

