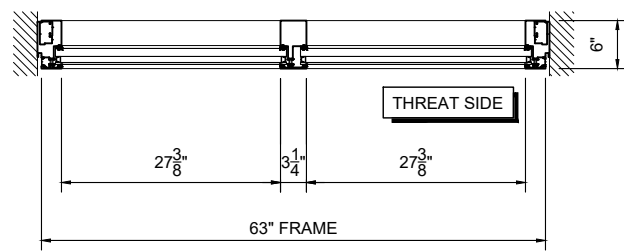
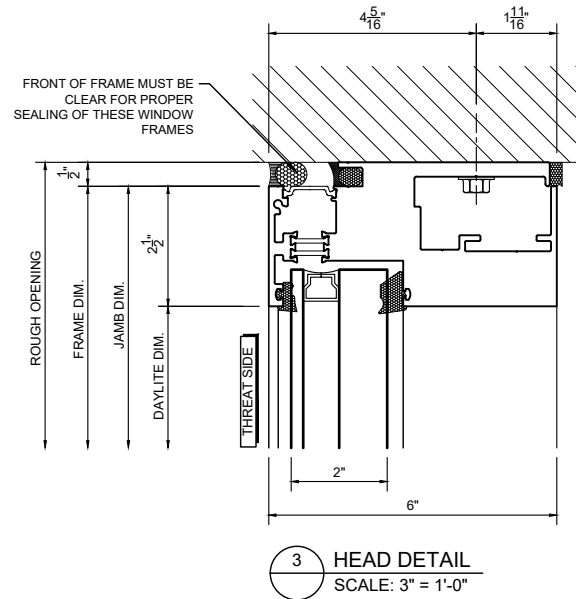


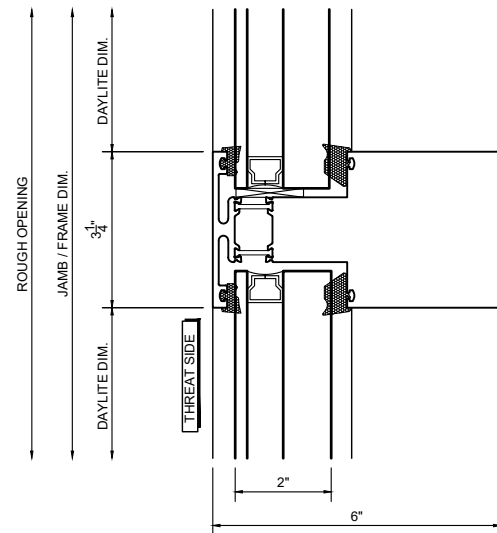
1 EXTERIOR WINDOW ELEVATION
SCALE: 1/2" = 1'-0"



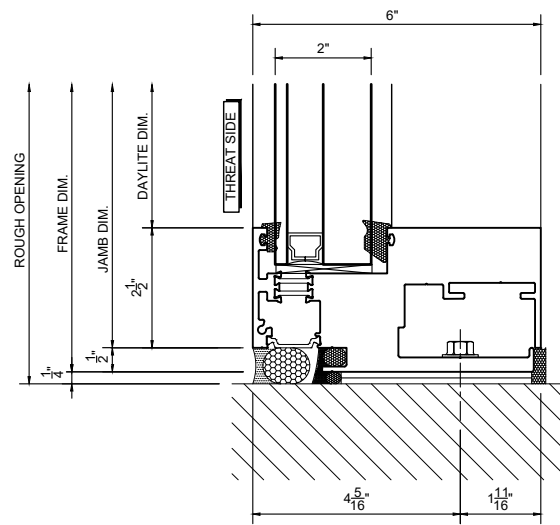
2 INTERIOR FRAME PLAN
SCALE: 1/2" = 1'-0"



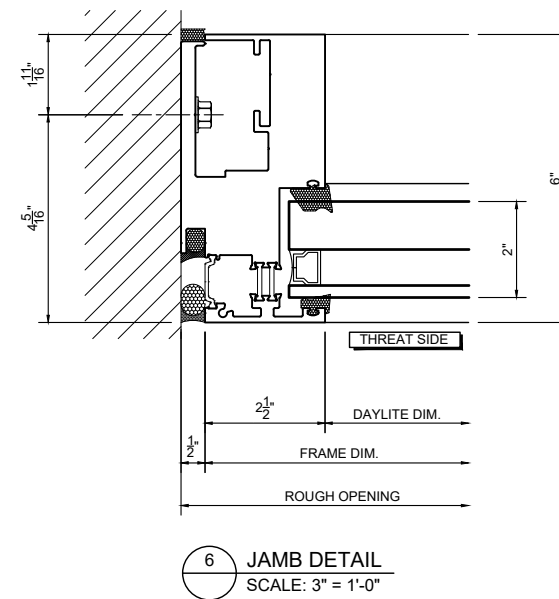
3 HEAD DETAIL
SCALE: 3" = 1'-0"



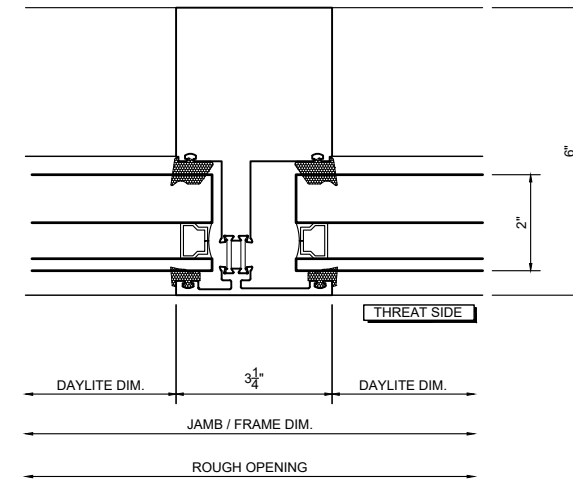
4 INT. HORIZONTAL DETAIL
SCALE: 3" = 1'-0"



5 SILL DETAIL
SCALE: 3" = 1'-0"



6 JAMB DETAIL
SCALE: 3" = 1'-0"



7 VERT. MULLION DETAIL
SCALE: 3" = 1'-0"



1291 RICKETT ROAD
PHONE (810) 844 - 0776
BRIGHTON, MI 48116
FAX (810) 844 - 0920

DISCLAIMER: THE INFORMATION CONTAINED IN THIS DRAWING IS CONFIDENTIAL. IT IS THE EXCLUSIVE PROPERTY OF "INSULGARD". AUTHORIZED USE MUST BE APPROVED BY "INSULGARD". ANY UNAUTHORIZED REPRODUCTION AND/OR DISTRIBUTION IS PROHIBITED.

TTH600 ICC - SALES DRAWING
ELEVATION & DETAILS

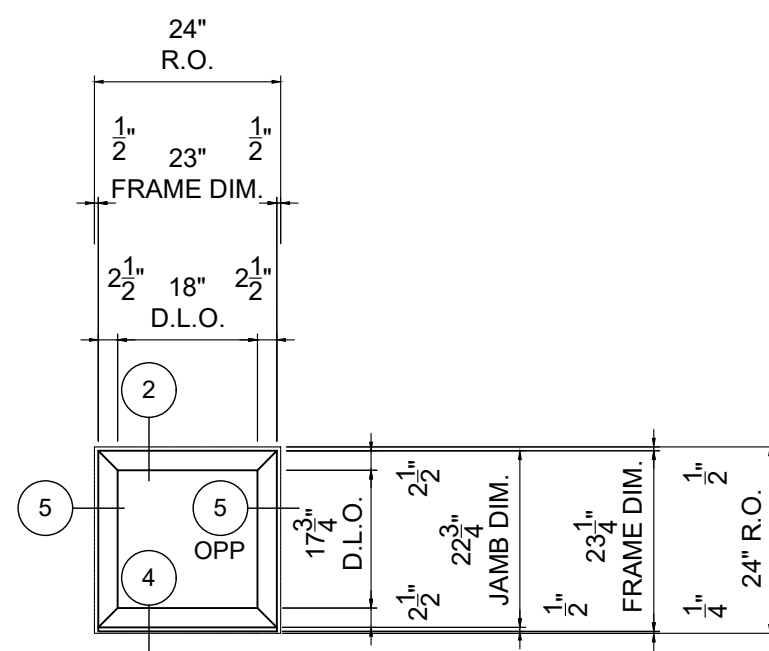
REVISIONS:
NO. DATE DESCRIPTION

SCALE:
AS INDICATED
DRAWN BY:
DATE:

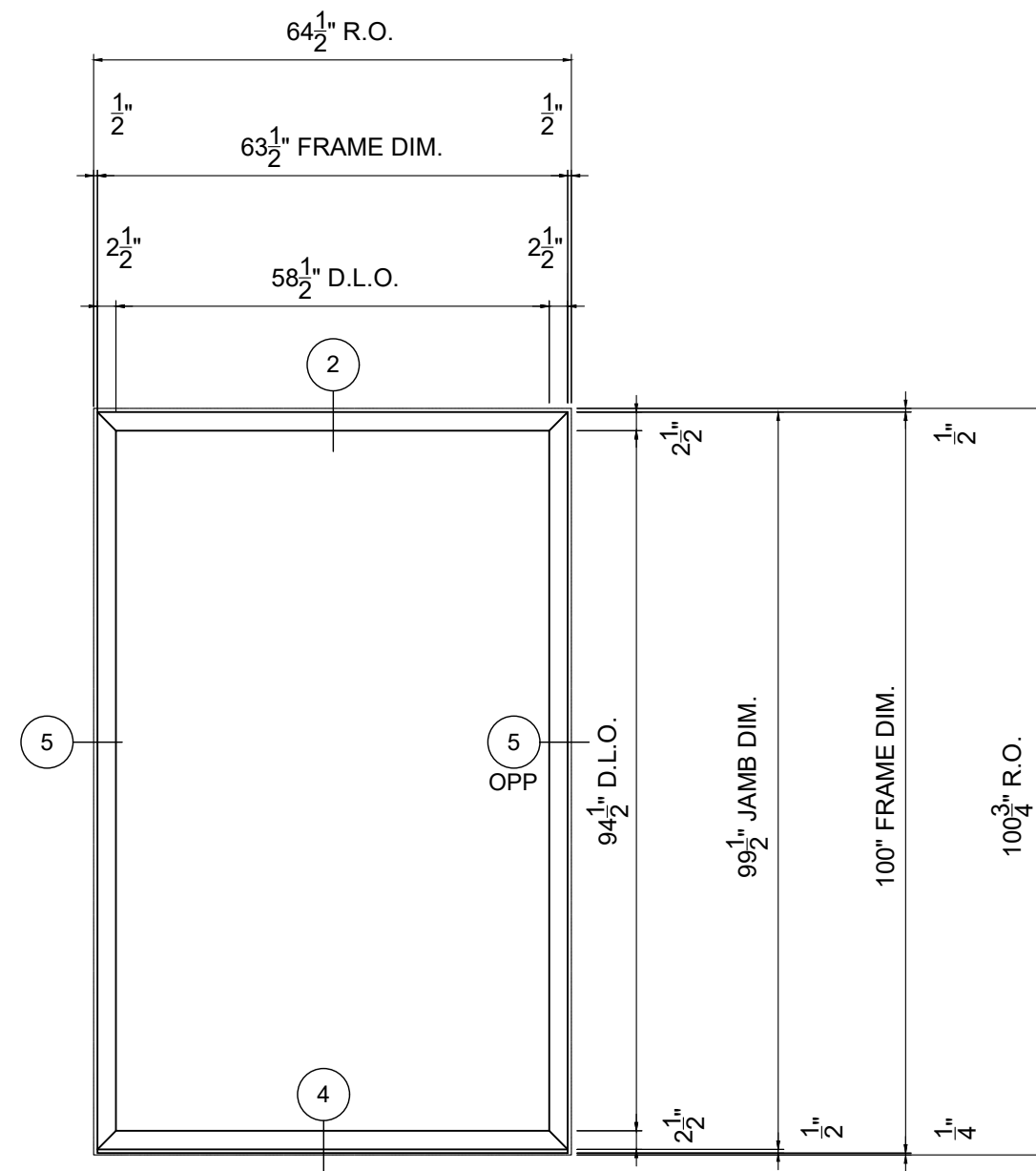
LOCATION:

SHEET NUMBER:
1 of 2

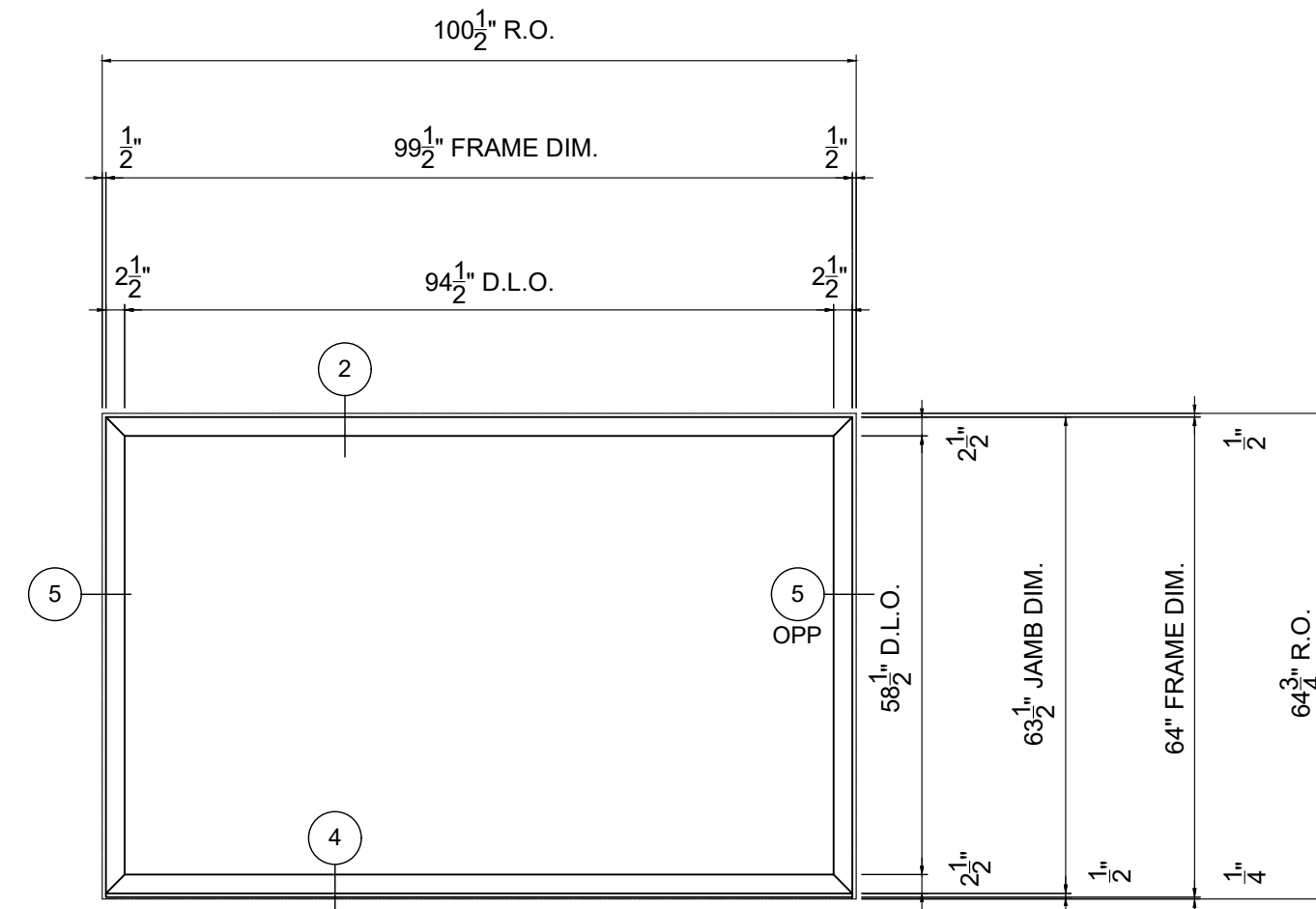
JOB NUMBER:



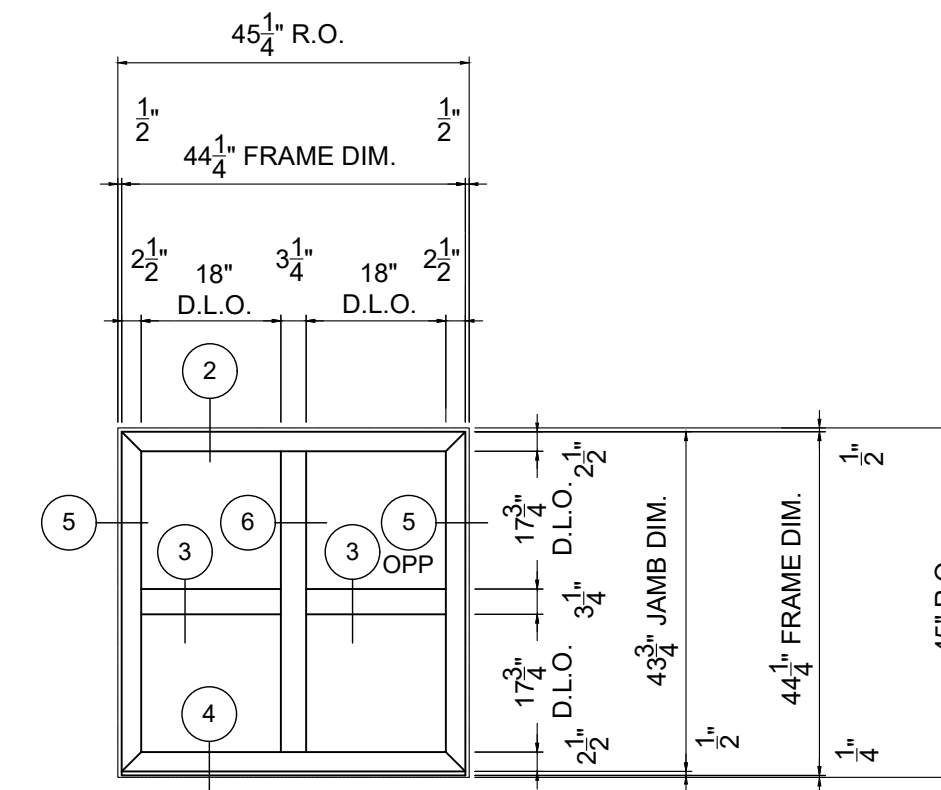
1 SINGLE LITE (smallest)
SCALE: 3/4"=1'-0"
GLAZING: TORGARD 30 IG



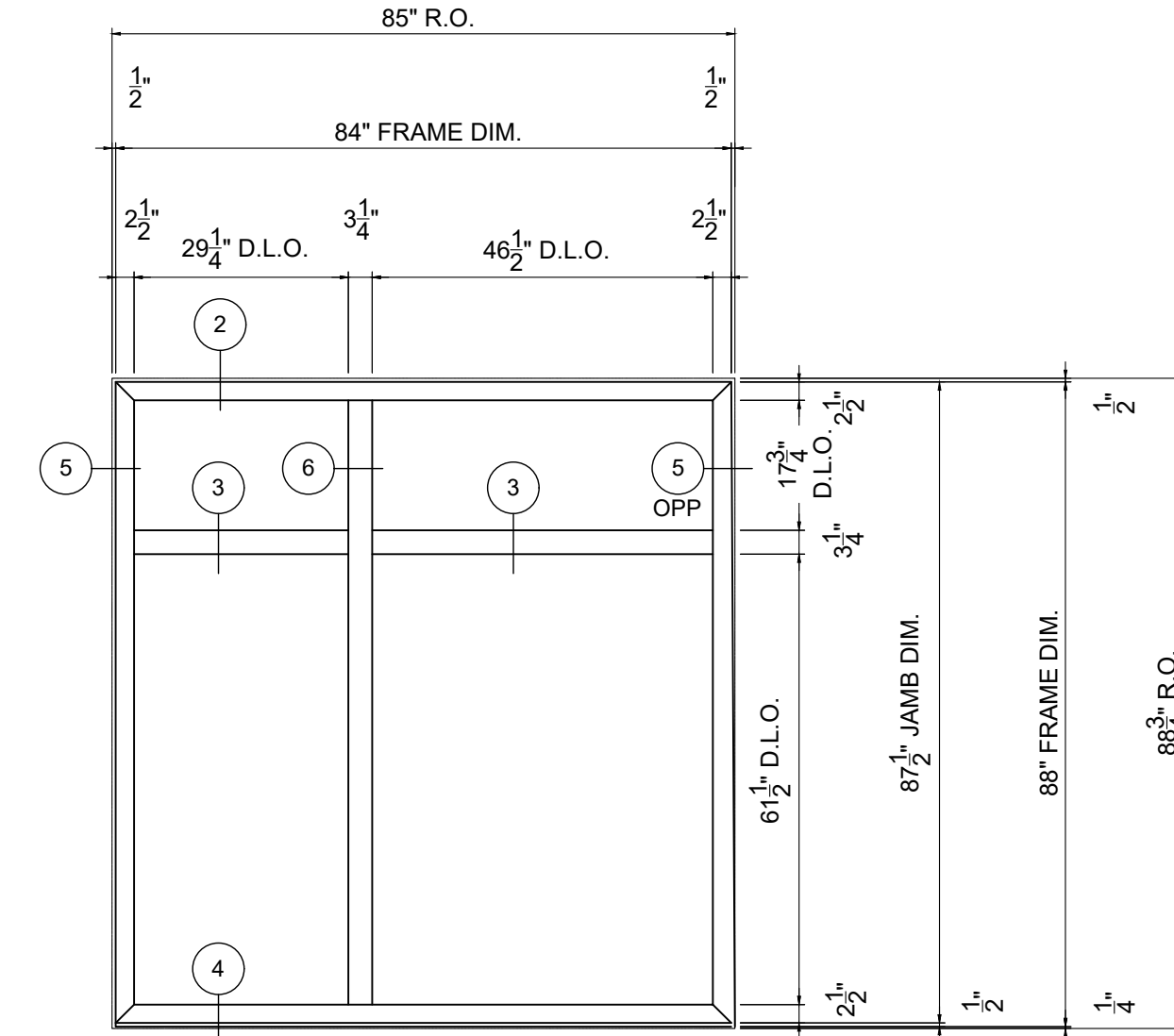
2 SINGLE LITE (largest: vertical)
SCALE: 3/4"=1'-0"
GLAZING: TORGARD 30 IG



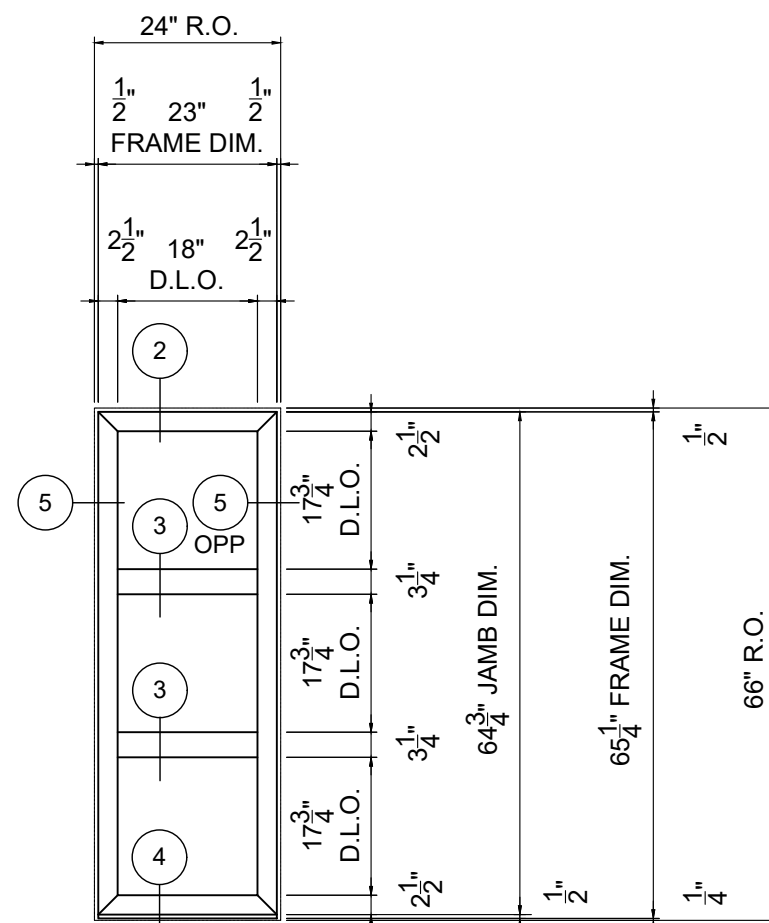
3 SINGLE LITE (largest: horizontal)
SCALE: 3/4"=1'-0"
GLAZING: TORGARD 30 IG



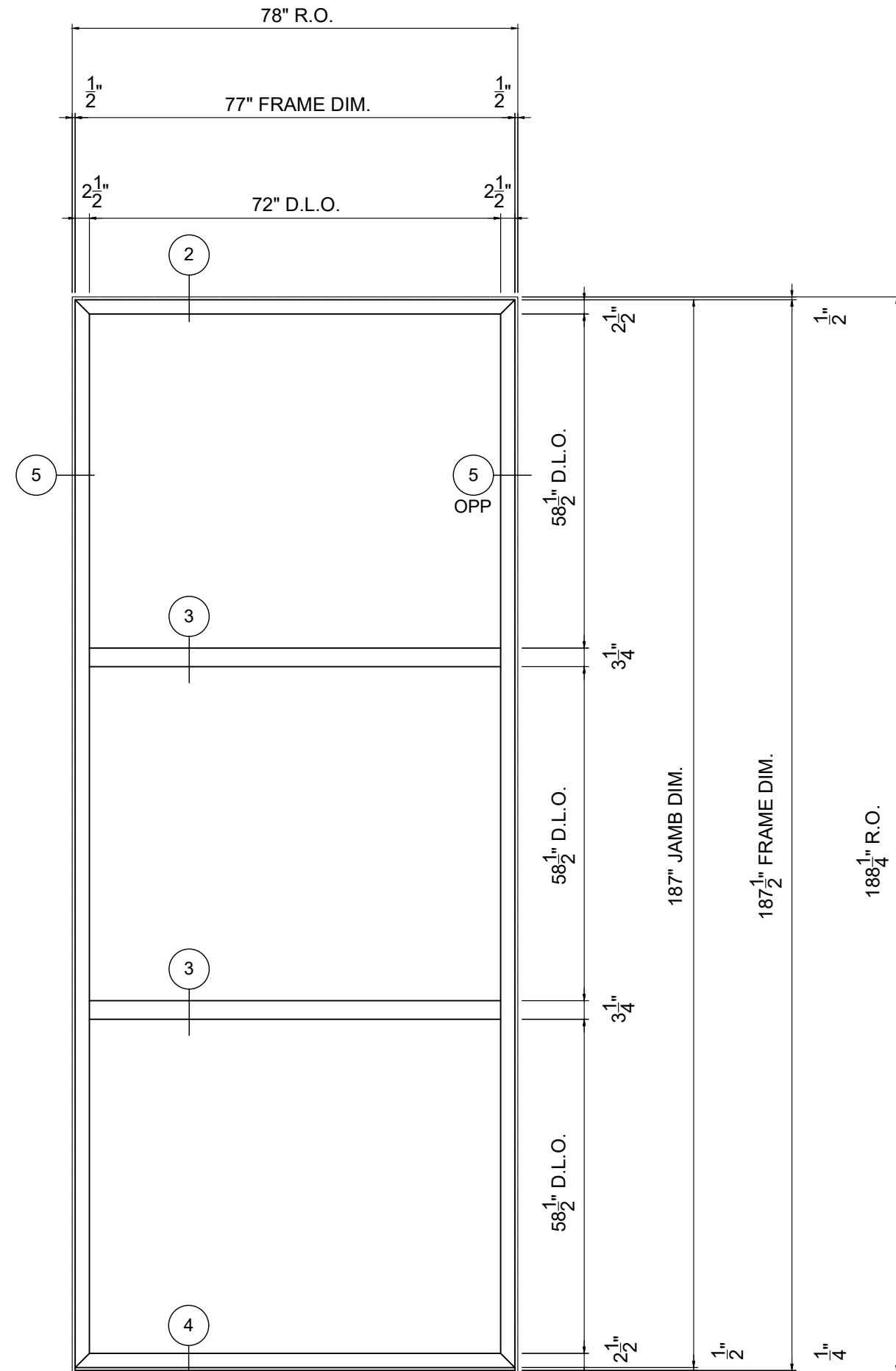
4 FOUR LITE (smallest)
SCALE: 3/4"=1'-0"
GLAZING: TORGARD 30 IG



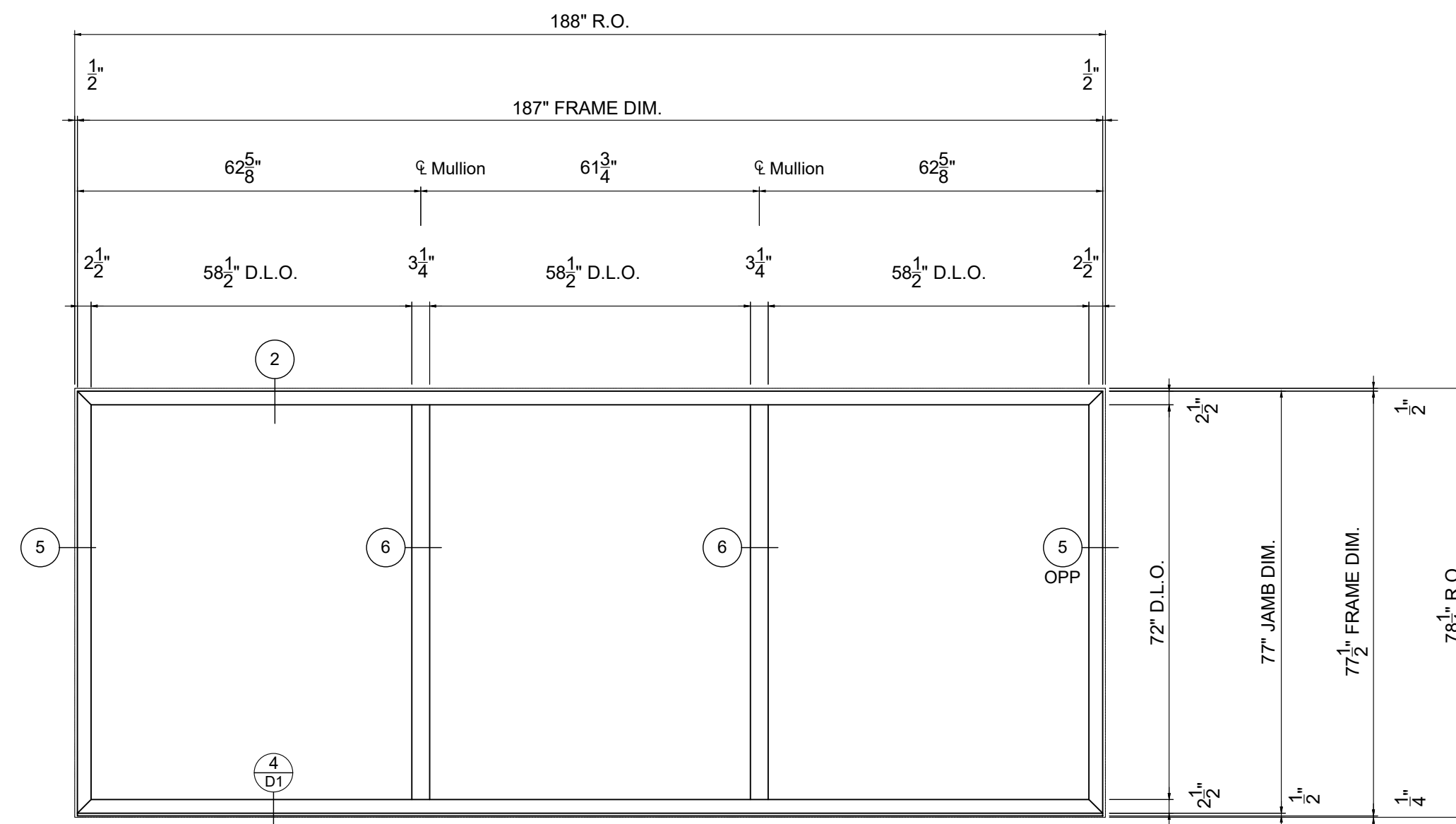
5 FOUR LITE (largest)
SCALE: 3/4"=1'-0"
GLAZING: TORGARD 30 IG



6 THREE LITE (smallest: vertical)
SCALE: 3/4"=1'-0"
GLAZING: TORGARD 30 IG

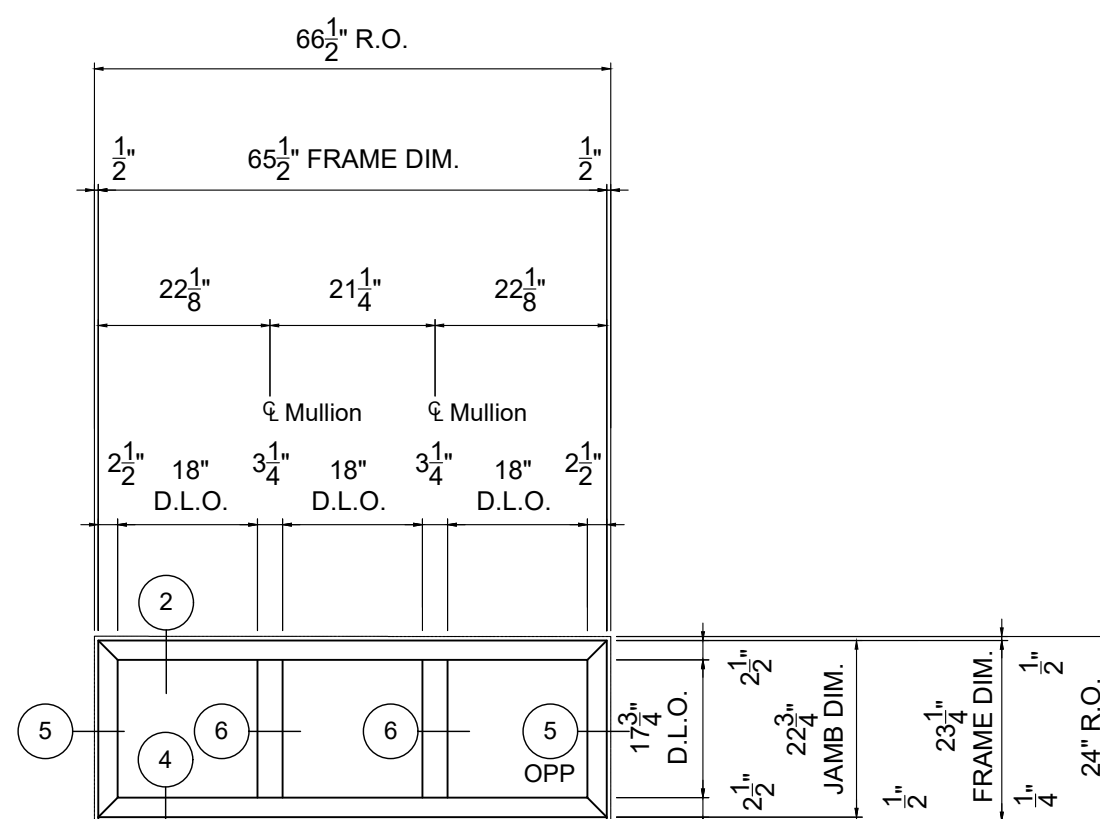


8 THREE LITE (largest: vertical)
SCALE: 3/4"=1'-0"
GLAZING: TORGARD 30 IG

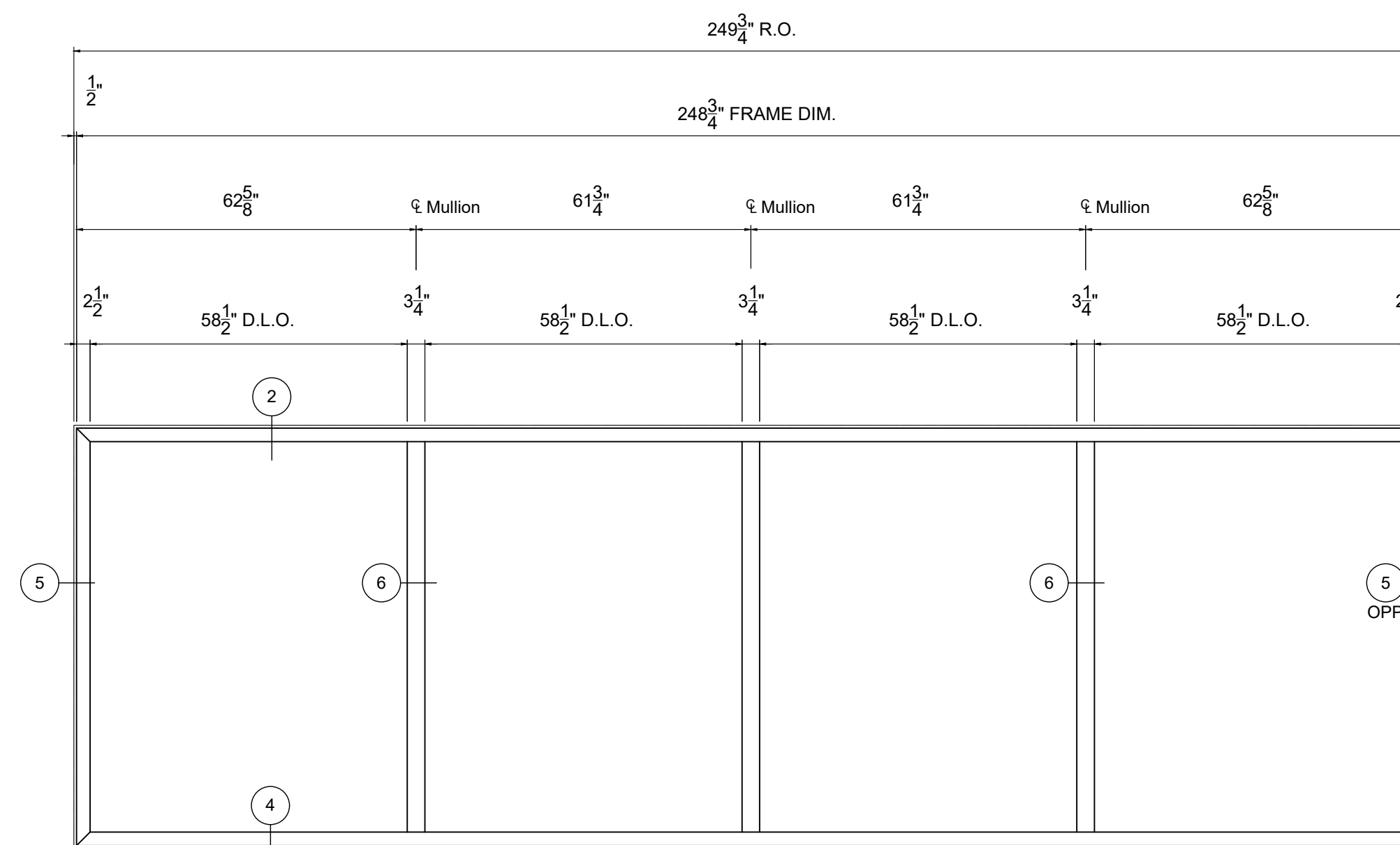


9 THREE LITE (largest: horizontal)
SCALE: 3/4"=1'-0"
GLAZING: TORGARD 30 IG

FRAMES 9 and 10 can have more than 4 lites, but cannot exceed 24'-6" Rough Openings (R.O).

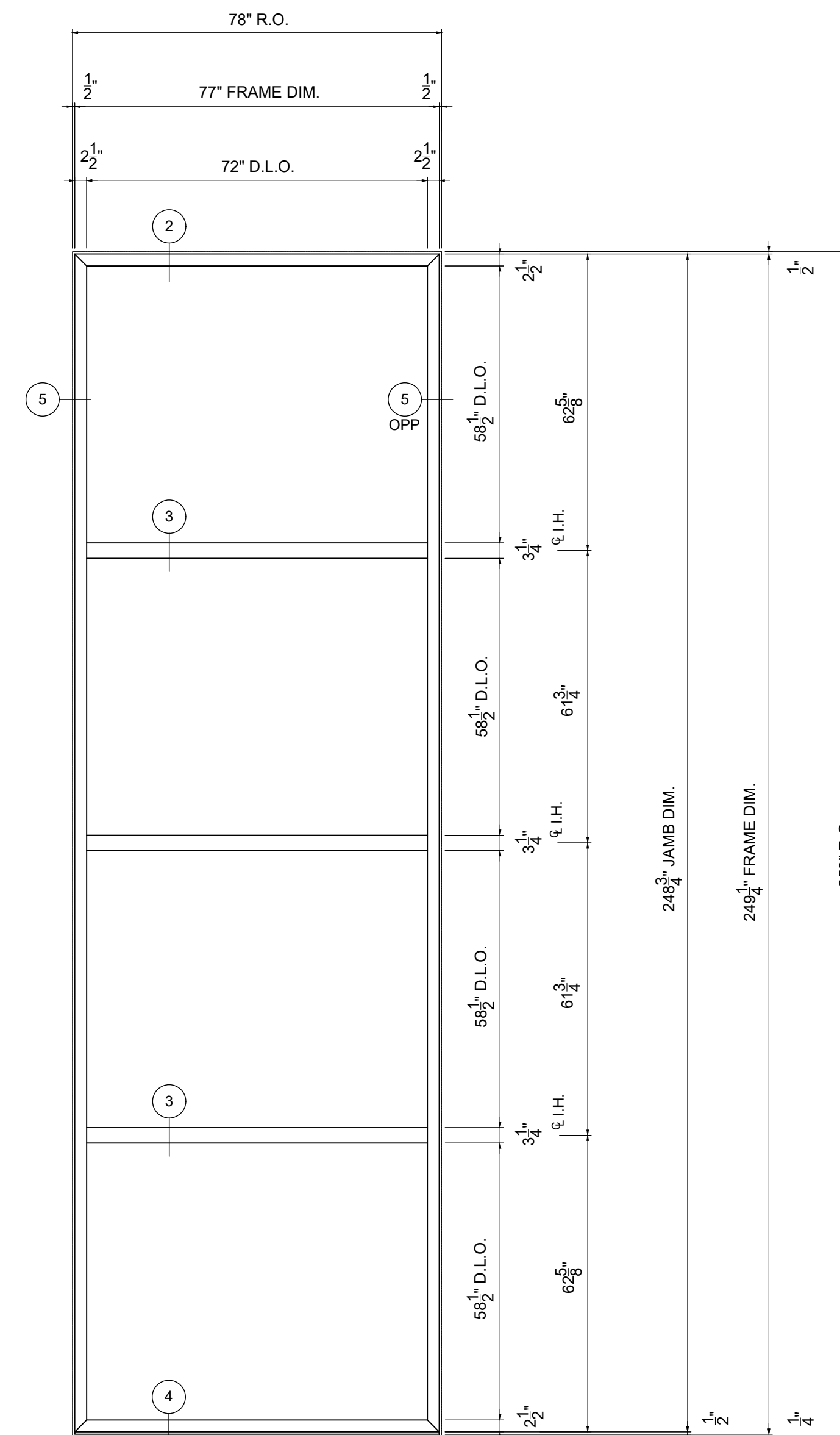


7 THREE LITE (smallest: horizontal)
SCALE: 3/4"=1'-0"
GLAZING: TORGARD 30 IG



9 FOUR LITE (largest: horizontal)
SCALE: 3/4"=1'-0"
GLAZING: TORGARD 30 IG

VERTICAL HEIGHT SAME AS THREE LITE



10 FOUR LITE (largest: vertical)
SCALE: 3/4"=1'-0"
GLAZING: TORGARD 30 IG

SHEET NUMBER:
2 of 2
JOB NUMBER:

TTH600 ICC - SALES DRAWING
CONFIGURATIONS AVAILABLE

SCALE:	AS INDICATED	REVISIONS:	DESCRIPTION
		NO.	DATE
		DRAWN BY:	
		DATE:	
		LOCATION:	

INSULGARD
SECURITY PRODUCTS

1291 RICKETT ROAD
BRIGHTON, MI 48116
PHONE (810) 844 - 0776 FAX (810) 844 - 0920

DISCLAIMER: THE INFORMATION CONTAINED IN THIS DRAWING IS CONFIDENTIAL. IT IS THE EXCLUSIVE PROPERTY OF "INSULGARD". AUTHORIZED USE MUST BE APPROVED BY "INSULGARD". ANY UNAUTHORIZED REPRODUCTION AND/OR DISTRIBUTION IS PROHIBITED.