

# HOLLOW METAL DOOR SYSTEM



Offering innovative solutions for bullet, blast, impact and wind resistance.

## SPECIFICATIONS

- Underwriters Laboratories UL 752 (Levels 1-8, Armor Piercing)
- National Institute of Justice (NIJ) (I, II-A, II, III-A, III, IV, plus .50 caliber)
- Fire construction available

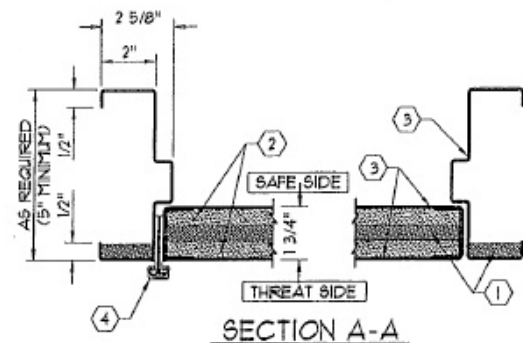
## FEATURES

- Doors and frames are typically constructed of 16 ga. cold rolled steel (galvanealed is available)
- 1 3/4" thick with 3/4" standard undercut
- 3'0" X 7'0" is typical but width and height can vary
- Numerous configurations from flush to full-lite
- Doors are pre-hung with continuous heavy duty hinges and prepped for customer specified hardware
- Frame style options available

### Notes:

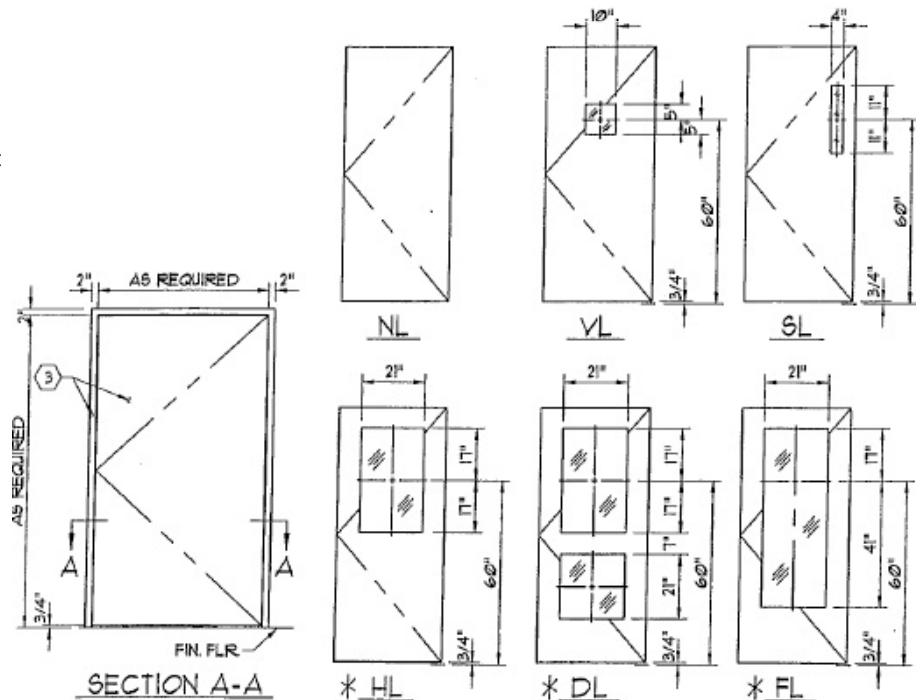
1. UL Listed bullet resistant composites
2. Foamed-in-place urethane insulation
3. 16 ga. primed steer door and frame
4. Continuous gear hinge
5. Hardware as specified (by others, unless noted)

\* STANDARD GLASS SIZES ARE FOR A 36" X 84" DOOR



## PRODUCT DESCRIPTION

Hollow metal doors are designed to provide protection against a variety of threats, ballistic or blast (bullets or shrapnel) or forced entry.



Unless otherwise agreed to in a document signed by both parties, any sale of products by Insulgard™ Security Products ("Insulgard") is made exclusively under Insulgard's Standard Terms and Conditions of Sale, which are available at [www.insulgard.com](http://www.insulgard.com). Insulgard makes no warranty, express or implied, with respect to customer's application outside of the Insulgard Limited Warranty. Nothing in this or any other document, nor any oral recommendation or advice, shall be deemed to alter, vary, supersede, or waive any provision of Insulgard's Standard Terms Conditions of Sale, the Insulgard Limited Warranty, or this disclaimer, unless any such modification is specifically agreed to in a writing signed by Insulgard. No statement contained herein concerning a possible or suggested use of any material, product, service or design is intended, or should be construed, to grant any license under any patent or other intellectual property right of SABIC Innovative Plastics US LLC or any of its subsidiaries or affiliates covering such use or design, or as a recommendation for the use of such material, product, service or design in the infringement of any patent or other intellectual property right.

Insulgard™ is a trademark of SABIC Innovative Plastics IP B.V.

**Insulgard™**  
SECURITY PRODUCTS

[www.insulgard.com](http://www.insulgard.com)

Phone: (800) 624-6315