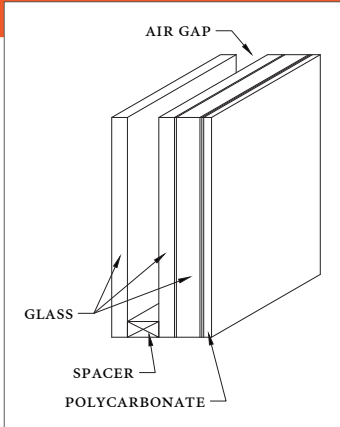




ARMOR-GARD® BALULN21IG



Innovative glazing solutions for ballistic protection

PRODUCT DESCRIPTION

ARMOR-GARD BALULN21IG INSULATED GLASS CLAD POLYCARBONATE GLAZING HAS BEEN TESTED AND CERTIFIED TO MEET UL 752 LEVEL 1 BALLISTICS PERFORMANCE.

TECHNICAL DATA

- Nominal Thickness: 1.587"
- Thickness Tolerance: 1.468" / 1.705"
- Dimensional Tolerance: +/- .250
- Weight: 10.35 lbs per SF
- Available Sizes: Up to 60" x 96"
- Light Transmittance: 70%
- U-Value: .43
- SHGC: .63
- Shading Coefficient: .73

PERFORMANCE

- 3 shots 9mm Luger, 124 grain FMJ, shot spacing @ 4.00" triangle
- UL 752 – Level 1 – UL Listed BP844
- No Spall, No Penetration

GUIDE SPECIFICATION

Ballistic resistant glass where shown shall be Insulgard's ARMOR-GARD BALULN21IG glassclad polycarbonate. Each unit for glass type _____ shall be BALULN21IG. BALULN Products are designed for applications where ballistics performance is primary and optical characteristics are secondary. Protected side of window is a mar resistant polycarbonate with threat side a glass surface.

INSTALLATION

Follow recommended glazing installations as set forth in:

- Glass Association of North America Glazing Manual
- Glass Association of North America Sealant Manual

Opening: Any size up to max. sheet size

Rabbit Depth: 1 1/4"

Edge Engagement: 1"

Edge Clearance: 1/4"

Face Clearance: 1/8" each face

APPLICABLE STANDARDS

- ASTM C 1036-06
- ASTM C 1349-04
- UL752
- CPSC 16 CFR 1201 (Category I and II)