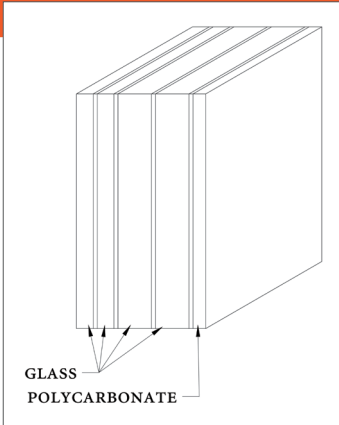




**BULLETBLOCK™**  
BULLET RESISTANT WINDOWS, DOORS & GLAZING  
BY INSULGARD

## ARMOR-GARD® BALULN50



### TECHNICAL DATA

- Nominal Thickness: 1.932"
- Thickness Tolerance: 1.799" / 2.065"
- Weight: 23.95 lbs. per SF
- Available sizes: Up to 60" x 96"
- Dimensional Tolerance: +/- .250
- Light Transmittance: 70%
- U-Value: .75
- SHGC: .56
- Shading Coefficient: .64

## Innovative glazing solutions for ballistic protection

### PRODUCT DESCRIPTION

ARMOR-GARD BALULN50 GLASS CLAD POLYCARBONATE GLAZING HAS BEEN TESTED AND CERTIFIED TO MEET UL 752 LEVEL 7 BALLISTICS PERFORMANCE.

### PERFORMANCE

- UL 752 – Level 7 – UL Listed – File BP844
- HP White tested for three shots in an 8" diameter circle using 7062 x 51 mm, 47 grain, AP, M61 ammunition. Witness panel .020 aluminum foil at 6.00" behind test specimen
- No Spall, No Penetration

### GUIDE SPECIFICATION

Ballistic resistant glass where shown shall be Insulgard's ARMOR-GARD BALULN50 glassclad polycarbonate. Each unit for glass type \_\_\_\_\_ shall be BALULN50. BALULN Products are designed for applications where ballistics performance is primary and optical characteristics are secondary. Protected side of window is a mar resistant polycarbonate with threat side a glass surface.

### INSTALLATION

Follow recommended glazing installations as set forth in:

- Glass Association of North America Glazing Manual
- Glass Association of North America Sealant Manual

Opening: Any size up to max. Sheet size

Rabbit Depth: 1 1/4"

Edge Engagement: 1"

Edge Clearance: 1/4"

Face Clearance: 1/8" each face

### APPLICABLE STANDARDS

- UL 752 Level 7
- ASTM C 1349-04
- ASTM C 1036-06
- ASTM C 1048-04
- CPSC 16 CFR 1201 (Category I and II)

The materials, products, and services of Insulgard™ Security Products, its subsidiaries and affiliates ("Seller") are sold subject to Seller's standard conditions of sale, which can be found at [www.polymershapes.com](http://www.polymershapes.com) and are available upon request. Although any information or recommendation contained herein is given in good faith, Seller makes no warranty or guarantee, express or implied, (i) that the results described herein will be obtained under end-use conditions, or (ii) as to the effectiveness or safety of any design incorporating seller's products, services or recommendations. Except as provided in Seller's standard conditions of sale, Seller shall not be responsible for any loss resulting from any use of its products or services described herein. Each user is responsible for making its own determination as to the suitability of Seller's products, services or recommendations for the user's particular use through appropriate end-use testing and analysis. Nothing in any document or oral statement shall be deemed to alter or waive any provision of Seller's Standard Conditions of Sale or this Disclaimer, unless it is specifically agreed to in a writing signed by Seller. No statement by Seller concerning a possible use of any product, service or design is intended, or should be construed, to grant any license under any patent or other intellectual property right of Seller or as a recommendation for the use of such product, service or design in a manner that infringes any patent or other intellectual property right. ©2020 Polymershapes LLC. All rights reserved. BulletBlock™ and Insulgard™ are trademarks of Polymershapes LLC. **Version: 5.19.20**

**INSULGARD™**  
**SECURITY PRODUCTS**  
insulgard.com | 800.624.6315