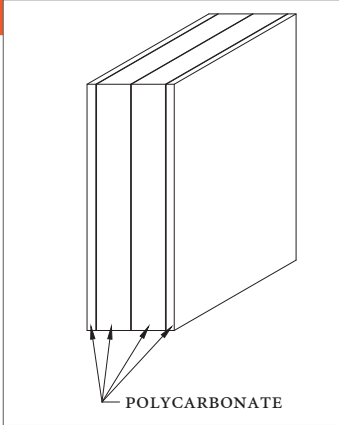




BULLETBLOCK™
BULLET RESISTANT WINDOWS, DOORS & GLAZING
BY INSULGARD

LEXGARD® SP1250



TECHNICAL DATA

- Nominal Thickness: 1.28"
- Thickness Tolerance: 1.15" / 1.41"
- Weight: 7.97 lbs per SF
- Available Sizes:
 - 12" x 12" Minimum
 - 72" x 96" Maximum
- Light Transmittance: 55%
- U-Value: .55
- SHGC: .74
- Shading Coefficient: .85
- Available in bronze, gray and green tint

Innovative glazing solutions for ballistic protection

PRODUCT DESCRIPTION

LEXGARD SP1250 LAMINATED POLYCARBONATE GLAZING HAS BEEN TESTED AND CERTIFIED TO MEET UL 752 LEVEL 3 BALLISTICS PERFORMANCE.

PERFORMANCE

- .44 magnum Lead Semi-Wadcutter Gas Checked
- UL 752 – Level 3 – UL Listed BP844
- No Spall, No Penetration
- H.P White HPW-TP-0500.02 Forced
- Entry Level 5
- ASTM F1233 Class 5
- ASTM F1915 Grade 1

GUIDE SPECIFICATION

Ballistic resistant glass where shown shall be Insulgard's Lexgard SP1250 Laminated Polycarbonate. Each unit for glass type _____ shall be Lexgard SP1250. Lexgard Products are designed for applications where ballistics performance is primary and optical characteristics are secondary. Protected side of window is a mar resistant polycarbonate with threat side a glass surface.

INSTALLATION

When used for ballistic protection, glazing should be installed in a UL Level 3 Bullet Resistant frame system. Holes must be covered with a UL listed device. All glazing should be installed in accordance with the guidelines set forth in the current edition of the Glass Association of North America (GANA) Glazing and Sealant Manuals. Glazing systems should incorporate a weep system to allow moisture and water to escape the glazing channel.

Recommended Clearance:

- Face: 1/8" per side
- Edge: 1/4"
- Bite: 1"

Polycast and SAR are either registered trademarks or trademarks of Spartech Polycast.

The materials, products, and services of Insulgard™ Security Products, its subsidiaries and affiliates ("Seller") are sold subject to Seller's standard conditions of sale, which can be found at www.polymershapes.com and are available upon request. Although any information or recommendation contained herein is given in good faith, Seller makes no warranty or guarantee, express or implied, (i) that the results described herein will be obtained under end-use conditions, or (ii) as to the effectiveness or safety of any design incorporating seller's products, services or recommendations. Except as provided in Seller's standard conditions of sale, Seller shall not be responsible for any loss resulting from any use of its products or services described herein. Each user is responsible for making its own determination as to the suitability of Seller's products, services or recommendations for the user's particular use through appropriate end-use testing and analysis. Nothing in any document or oral statement shall be deemed to alter or waive any provision of Seller's Standard Conditions of Sale or this Disclaimer, unless it is specifically agreed to in a writing signed by Seller. No statement by Seller concerning a possible use of any product, service or design is intended, or should be construed, to grant any license under any patent or other intellectual property right of Seller or as a recommendation for the use of such product, service or design in a manner that infringes any patent or other intellectual property right. ©2020 Polymershapes LLC. All rights reserved. BulletBlock™ and Insulgard™ are trademarks of Polymershapes LLC. **Version: 7.29.20**

INSULGARD™
SECURITY PRODUCTS
insulgard.com | 800.624.6315